

PRODUCT FEATURES

- Pattern controller, accessible from room side
- Removable inner plaque assembly
- Optional blankoff baffles, field installed

CONSTRUCTION DETAILS

Material: Cold Rolled Steel (std)

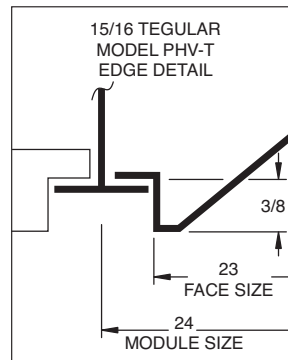
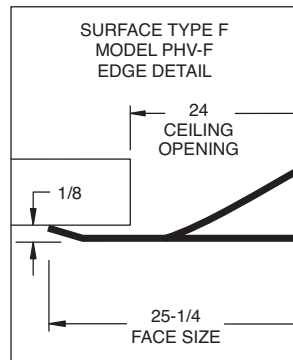
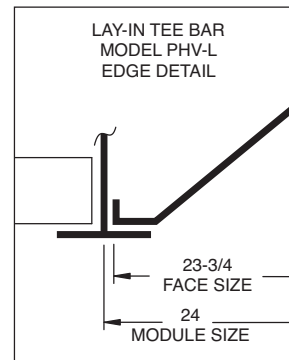
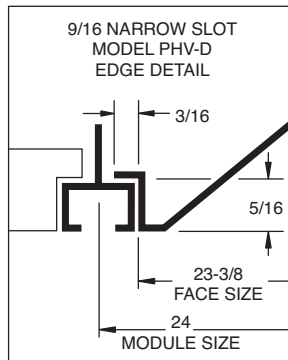
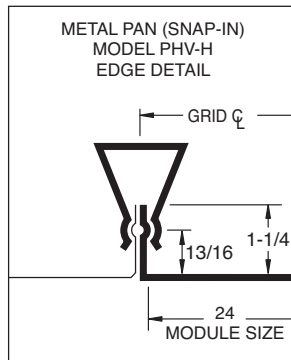
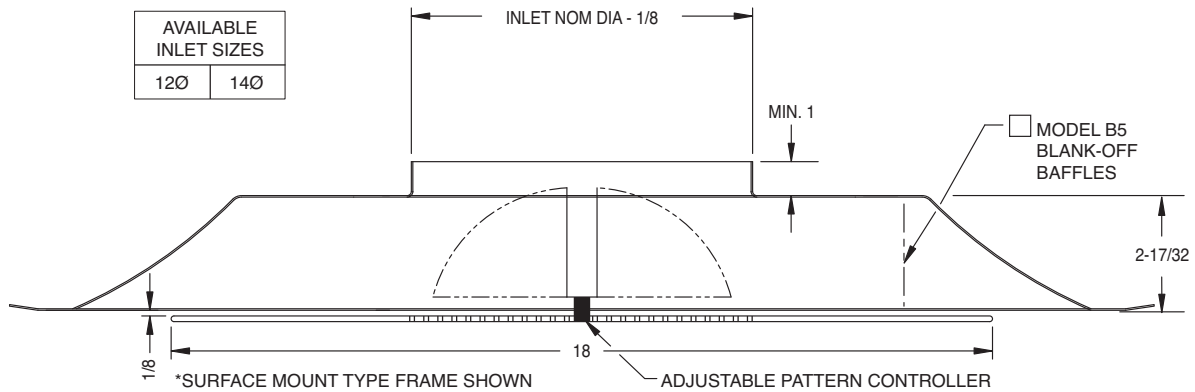
- Aluminum (opt)
- 304 Stainless Steel (opt)

Finish: White (std)

- Black
- Custom Colors (opt)

MODELS

- PHV-A-D** 9/16" Narrow Slot
- PHV-A-L** Lay-In T-Bar
- PHV-A-F** Surface Mount
- PHV-A-H** Metal Pan (Snap-In)
- PHV-A-T** 15/16" Tegular



All dimensions are in inches.

JOB NAME:

SUBMITTED BY: