

PRODUCT FEATURES

- Optional volume control damper, accessible from room side
- Removable inner plaque assembly
- Optional blankoff baffles, field installed

CONSTRUCTION DETAILS

Material: Cold Rolled Steel (std)

- Aluminum (opt)
- 304 Stainless Steel (opt)

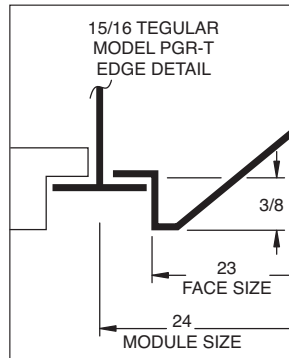
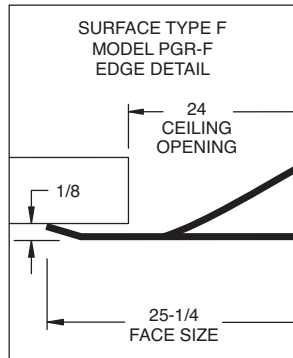
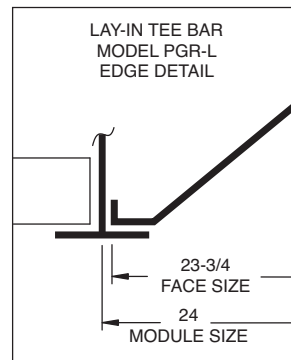
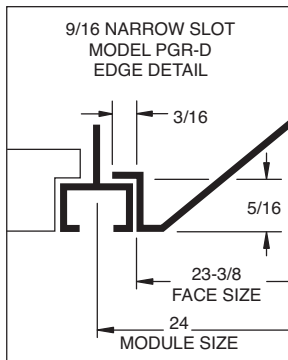
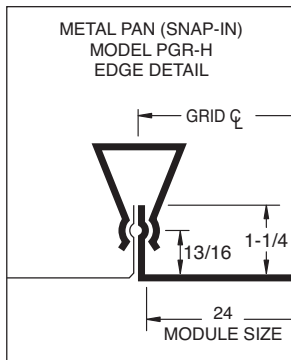
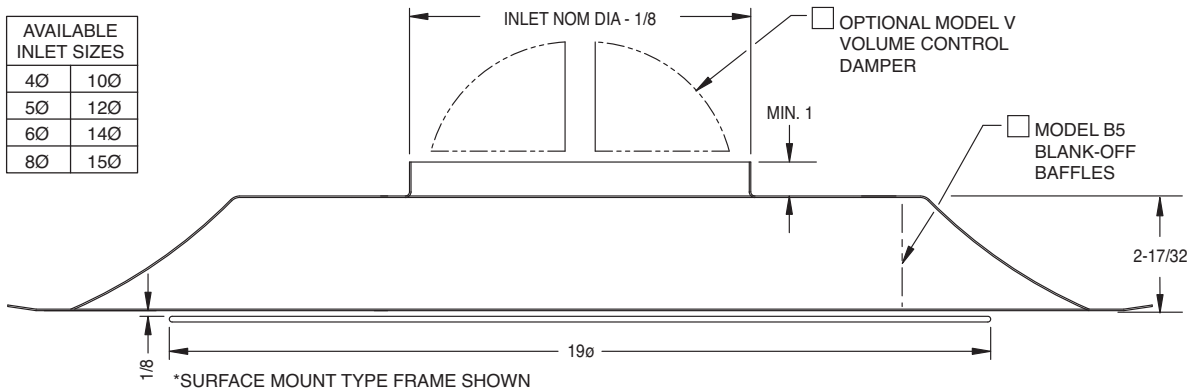
Finish: White (std)

- Custom Colors (opt)

MODELS

- PGR-D-22** 9/16" Narrow Slot
- PGR-L-22** Lay-In T-Bar
- PGR-F-22** Surface Mount
- PGR-H-22** Metal Pan (Snap-In)
- PGR-T-22** 15/16" Tegal

AVAILABLE INLET SIZES	
4Ø	10Ø
5Ø	12Ø
6Ø	14Ø
8Ø	15Ø



All dimensions are in inches.

JOB NAME:

SUBMITTED BY: