

Anemostat® SUBMITTAL

1220 Watson Center Road • Carson, CA 90745-4206
(310) 835-7500 • FAX (310) 835-0448
air@anemostat.com • www.anemostat-hvac.com

Model **PG-22-MRI**
PARAGON DIFFUSER
1/8" PLAQUE DROP
SUPPLY / RETURN
NOMINAL 24 X 24

DIFFUSERS

PRODUCT FEATURES

- Unit manufactured entirely of aluminum materials
- Non-Removable inner plaque assembly
- Optional aluminum blankoff baffles, field installed

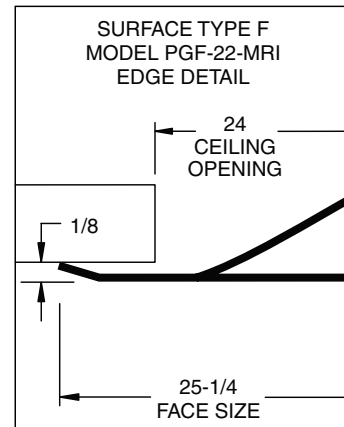
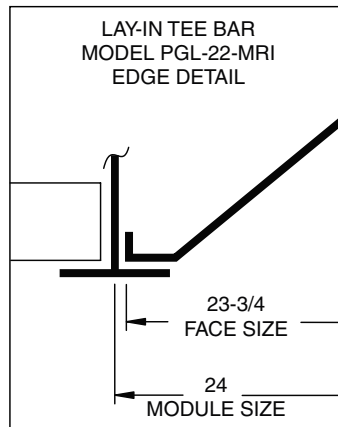
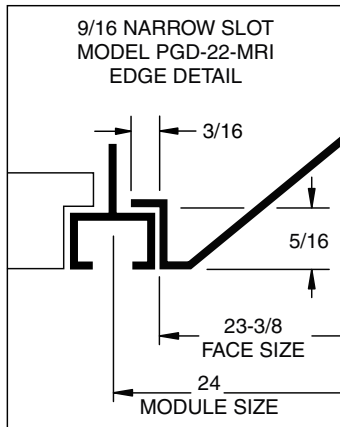
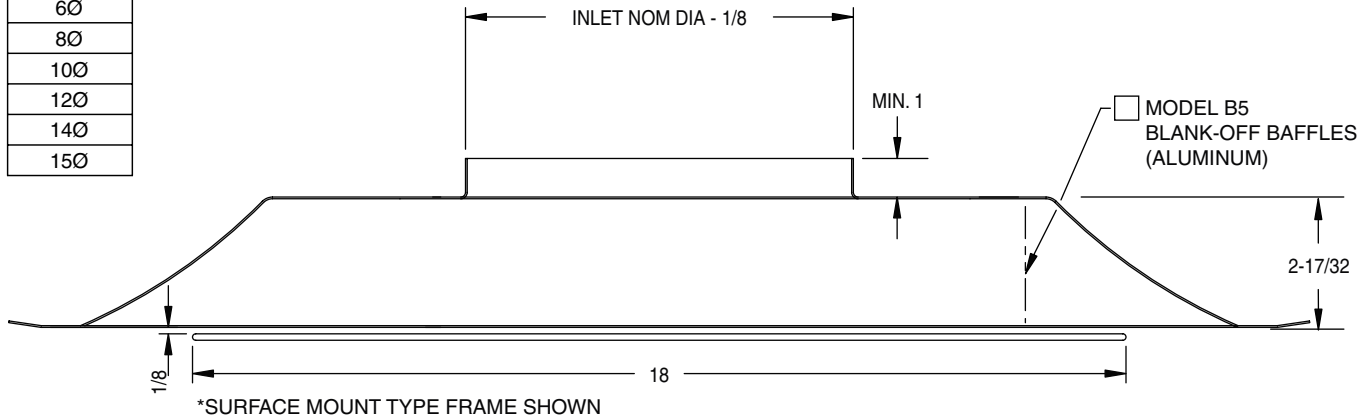
CONSTRUCTION DETAILS

- Material:** Aluminum
Finish: White (std)
 Custom Colors (opt)

MODELS

- PGD-22-MRI** 9/16" Narrow Slot
 PGL-22-MRI Lay-In T-Bar
 PGF-22-MRI Surface Mount

AVAILABLE INLET SIZES
4Ø
5Ø
6Ø
8Ø
10Ø
12Ø
14Ø
15Ø



All dimensions are in inches.

JOB NAME:

SUBMITTED BY: