

# SUBMITTAL SHEET

www.anemostat-hvac.com

### PRODUCT FEATURES

- Optional volume control damper, accessible from room side
- Removable inner plaque assembly
- Optional blankoff baffles, field installed

### CONSTRUCTION DETAILS

**Material:** Cold Rolled Steel (std)

- Aluminum (opt)
- 304 Stainless Steel (opt)

**Finish:** White (std)

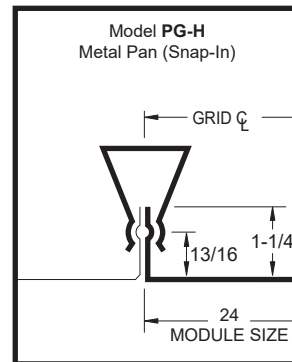
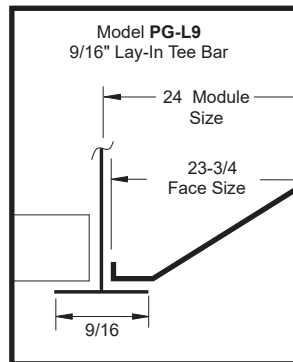
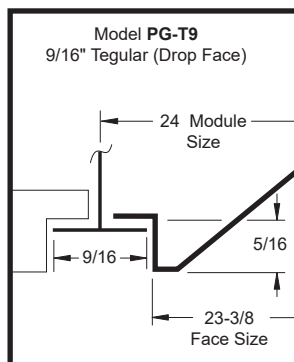
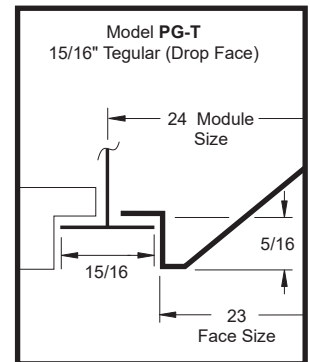
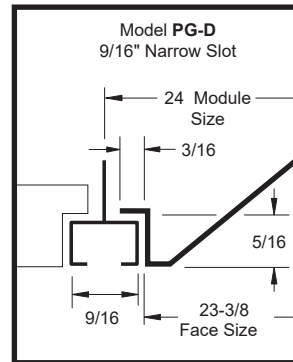
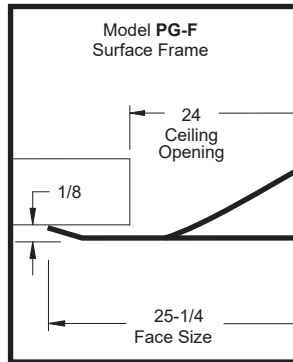
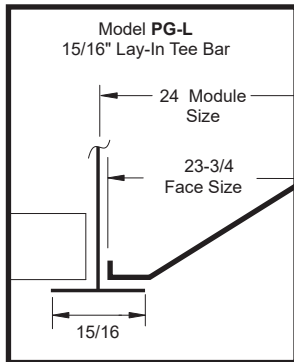
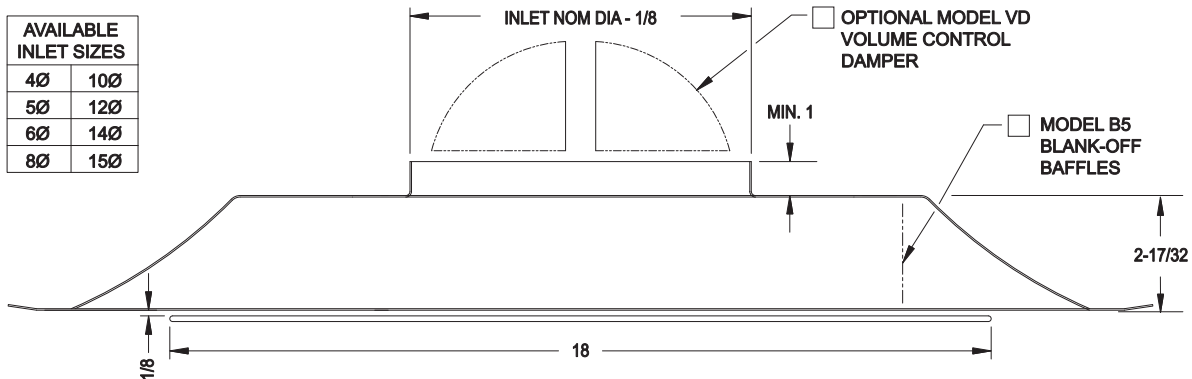
- Custom Colors (opt)

### MODELS

- PG-D-22** 9/16" Narrow Slot
- PG-L-22** 15/16" Lay-In T-Bar
- PG-F-22** Surface Mount
- PG-H-22** Metal Pan (Snap-In)
- PG-T-22** 15/16" Tegular
- PG-T9-22** 9/16" Tegular
- PG-L9-22** 9/16" Lay-In T-Bar

\*SURFACE MOUNT TYPE FRAME SHOWN

AVAILABLE INLET SIZES	
4Ø	10Ø
5Ø	12Ø
6Ø	14Ø
8Ø	15Ø



All dimensions are in inches.

JOB NAME:

SUBMITTED BY: