

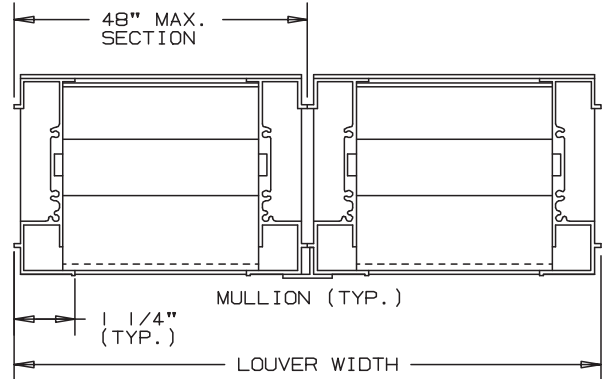
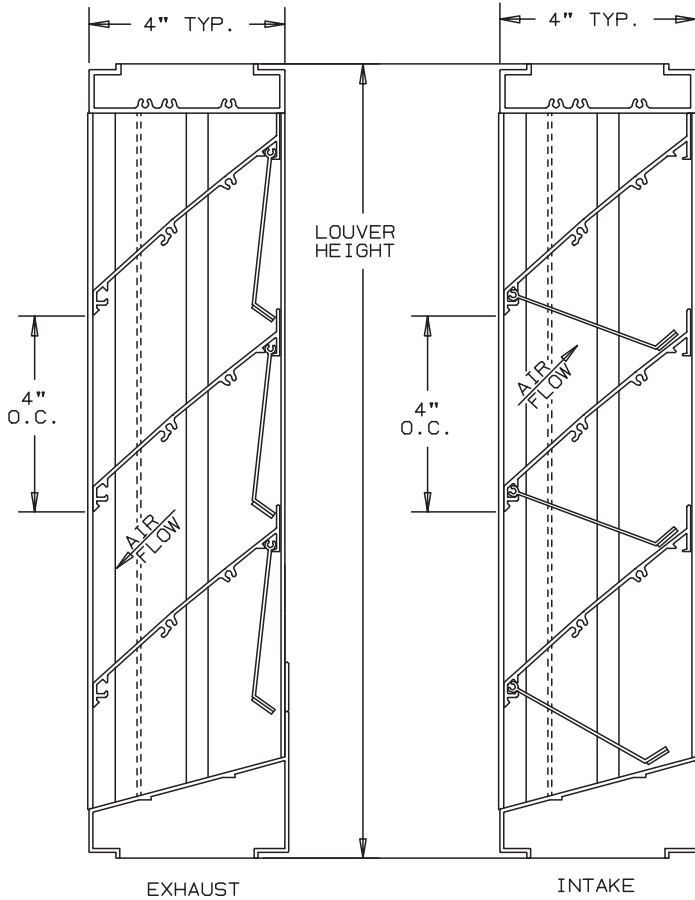


Anemostat®
AIR DISTRIBUTION

MODEL **LA377**

EXTRUDED ALUMINUM LOUVERS
4" DEEP - AUTOMATIC DUAL COMBINATION

45° STANDARD BLADE-COMBINATION-INTAKE OR EXHAUST



SPECIFICATIONS

MATERIAL: EXTRUDED ALUMINUM, 6063-T52 ALLOY,
.081" THK. FRAME AND STATIONARY
BLADE, .050" THK. OPERABLE BLADE.
FACE OF LOUVER: FULL WIDTH HEAD AND SILL WITH
BLADES CONTAINED WITHIN JAMBS.
SCREENS: (WHEN INDICATED)
BIRD SCREEN - 1/2" FLATTENED ALUMINUM, .051" THK.
- 1/2" SQ. MESH INTERMEDIATE DOUBLE-
CRIMPED ALUMINUM WIRE, .063" DIA.
INSECT SCREEN - 18/16 MESH, .011" DIA. ALUMINUM
WIRE
MAXIMUM PANEL SIZE: 48"x96" MAXIMUM.
MINIMUM PANEL SIZE: 12"x12"
FINISH: _____

INTER-CONNECTING LINKAGE AND
COUNTERWEIGHTS NOT AVAILABLE

●
SPECIFY TYPE WHEN
ORDERING

●
SEE REVERSE SIDE FOR
PERFORMANCE DATA

NOMINAL DEDUCTIONS WILL BE MADE TO THE OPENING SIZE GIVEN.

ITEM	QTY.	OPENING SIZE		LOUVER SIZE		MULL	SCREENS		LOUVER TYPE		UNION MADE
		WIDTH	HEIGHT	WIDTH	HEIGHT		TYPE	LOC	INTAKE	EXHAUST	



Anemostat Air Distribution 1220 E. Watson Center Road Carson, CA 90745 310-835-7500 • air@anemostat.com www.anemostat-hvac.com AGENT: _____	ARCH./ENG. :
	CONTR. :
	PROJECT :
	EDR: ECN: JOB:
	DATE: DWN. : DWG. :

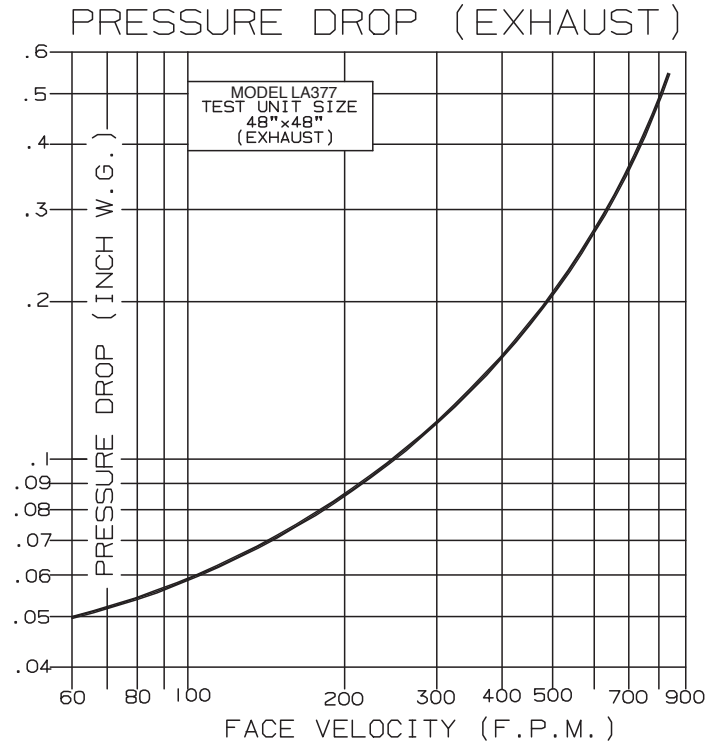
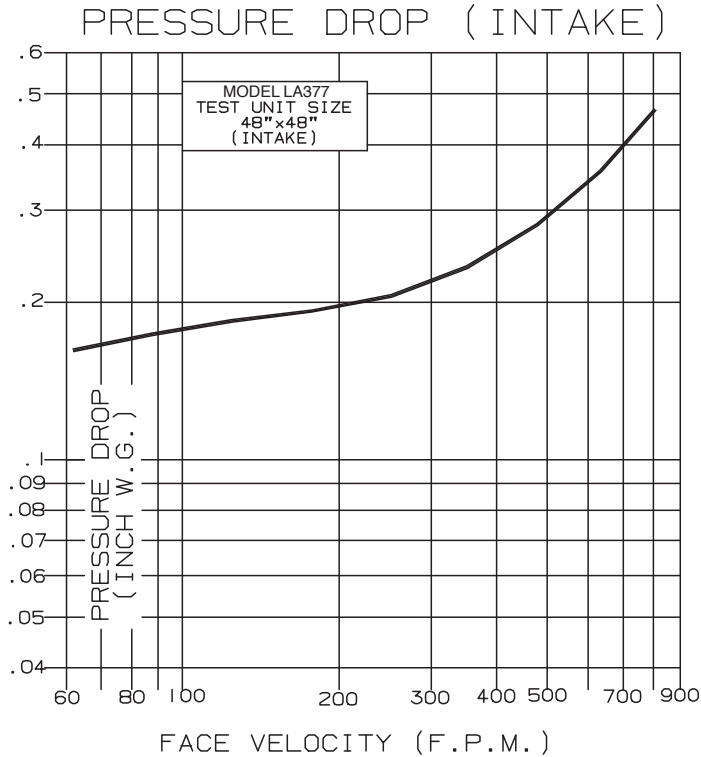
MODEL LA377

COMBINATION LOUVER

PERFORMANCE DATA

WITHOUT DUCTWORK

LOUVER INSTALLED PER AMCA 500 FIG. 5.4
(FACE MOUNTED TO A PLENUM) PRESSURE IS
CORRECTED TO .075 LB./CU. FT. AIR DENSITY.



TYPICAL PERFORMANCE FOR **MODEL LA377**
COMBINATION LOUVER, WITHOUT THE USE
OF BLADE LINKAGE, COUNTERWEIGHTS,
AND SCREENS.