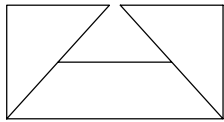


SUBMITTAL SHEET



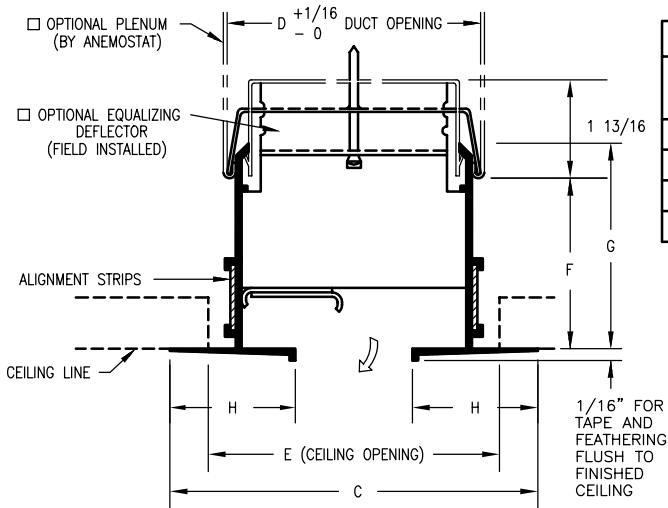
from: **ANEMOSTAT**®

CARSON CA
310-835-7500

MODEL
FFBF-150

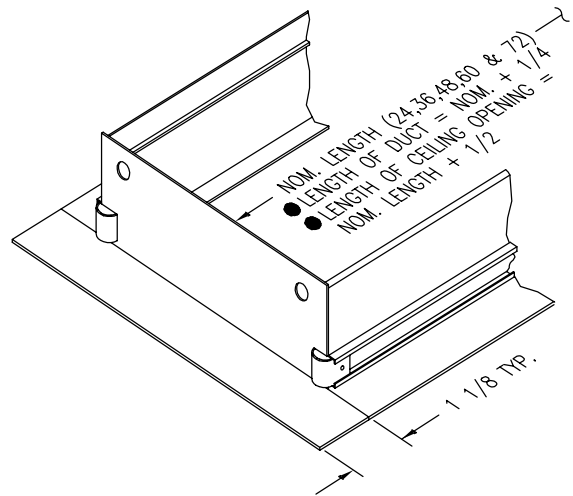
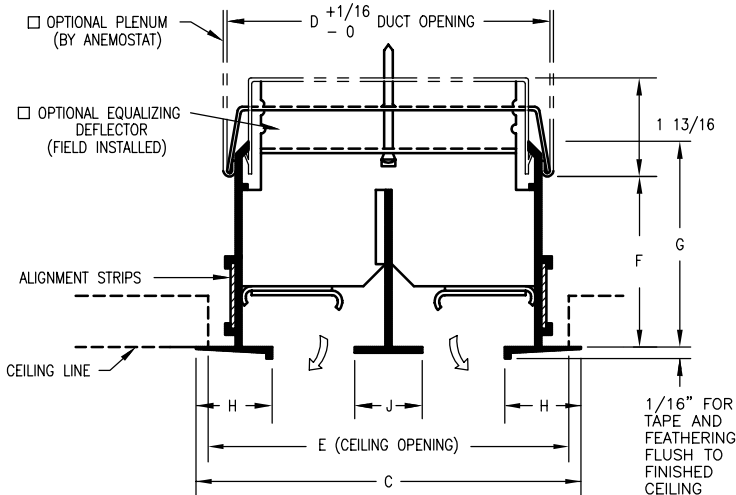
FREE FLO™
ARCHITECTURAL
LINEAR DIFFUSER
BEVELED FLANGE

SINGLE SLOT



FFBF-150 (1 1/2" SLOT WIDTH)							
# OF SLOTS	C	D	E	F	G	H	J
1	4 1/2	3 5/16	3 3/8	1 23/32 TO 2 3/32	2 9/16	1 1/2	-
2	7 1/2	6 5/16	6 3/8				1 1/2
3	10 1/2	9 5/16	9 3/8				
4	13 1/2	12 5/16	12 3/8				

MULTIPLE SLOT



END PLATE DETAIL

- MATERIAL:** .062 ALUMINUM EXTRUSION
GALVANIZED HARDWARE
- FINISH:** OUTER FRAME - BLACK
CENTER TEE - WHITE
INTERIOR COMPONENTS - BLACK
- ASSEMBLY:** ALIGNMENT STRIPS AND MOUNTING
BRACKETS FURNISHED FOR FIELD
ASSEMBLY AND INSTALLATION

MFG. TOLERANCE ± 1/32

All Dimensions are in Inches

JOB NAME:	SUBMITTED BY:
LOCATION:	
ARCHITECT:	
ENGINEER:	
CONTRACTOR:	DWG # LIN-0325
	DATE 9-5-03 REV B

810A0001A1