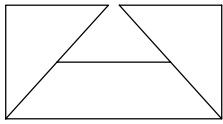


# SUBMITTAL SHEET



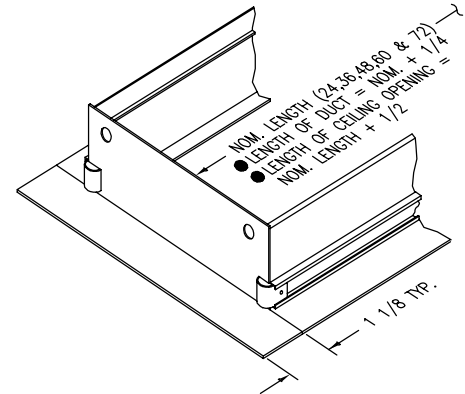
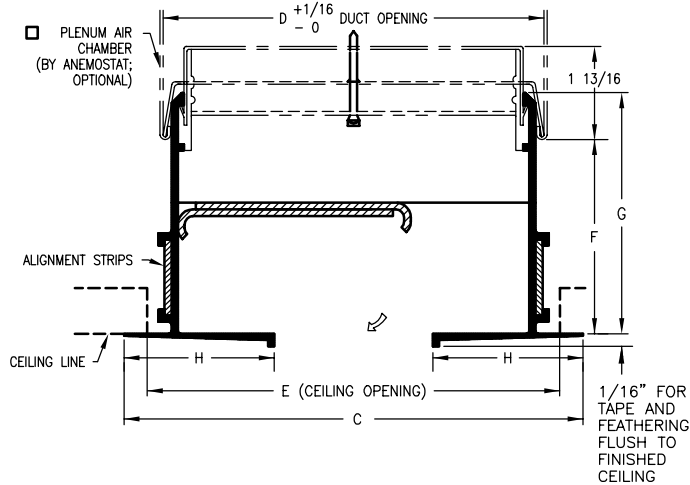
from: **ANEMOSTAT**®

CARSON CA  
310-835-7500

## MODEL FFBF-300

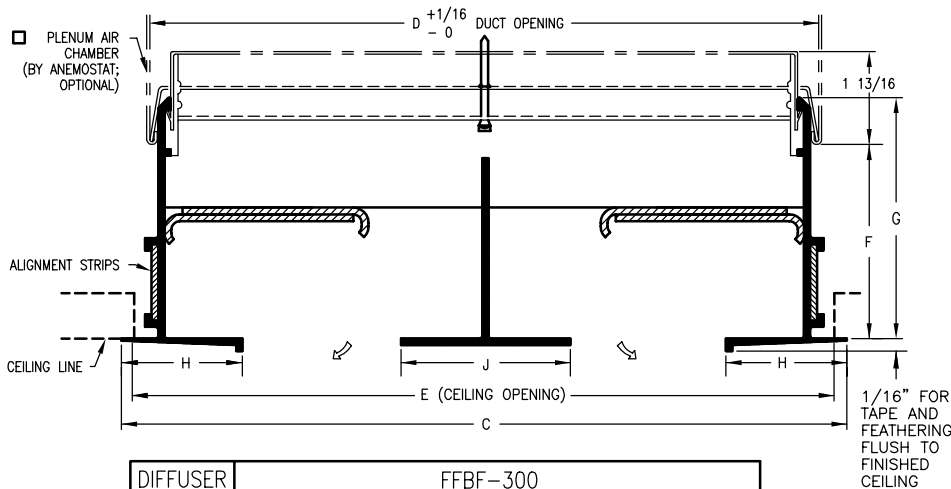
**FREE FLO**™  
ARCHITECTURAL  
LINEAR SUPPLY DIFFUSER  
BEVELED FLANGE

### SINGLE SLOT



**END PLATE DETAIL**

### TWO SLOT



DIFFUSER SIZE	FFBF-300 3" SLOT WIDTH							
	NUMBER OF SLOTS	C	D	E	F	G	H	J
1	7	6 5/16	6 3/8	2 3/8 TO 2 3/4	3 7/32	2	-	
2	13	12 5/16	12 3/8				3	

**MATERIAL:** .062 ALUMINUM EXTRUSION  
GALVANIZED HARDWARE

**FINISH:** OUTER FRAME - BLACK  
CENTER TEE - WHITE  
INTERIOR COMPONENTS - BLACK

**ASSEMBLY:** ALIGNMENT STRIPS AND MOUNTING BRACKETS FURNISHED FOR FIELD ASSEMBLY AND INSTALLATION

MFG. TOLERANCE ± 1/32

All Dimensions are in Inches

JOB NAME:	SUBMITTED BY:
LOCATION:	
ARCHITECT:	
ENGINEER:	
CONTRACTOR:	
	DWG # LIN-0323
	DATE 9-5-03 REV B

810A0003A1