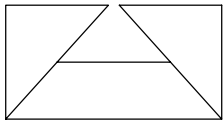


SUBMITTAL SHEET

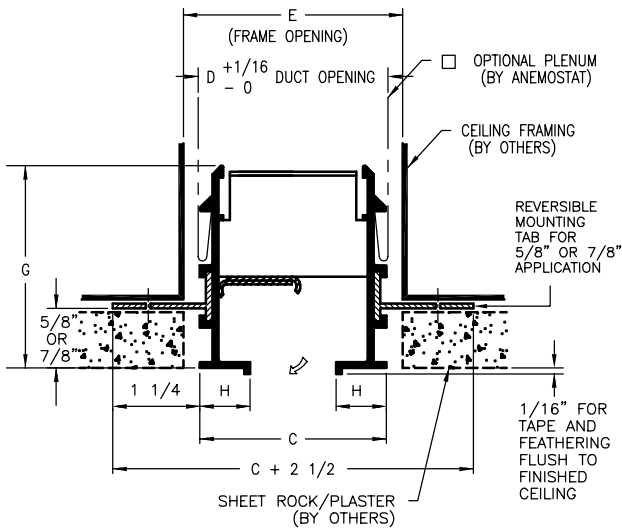


from: **ANEMOSTAT**®

CARSON CA
310-835-7500

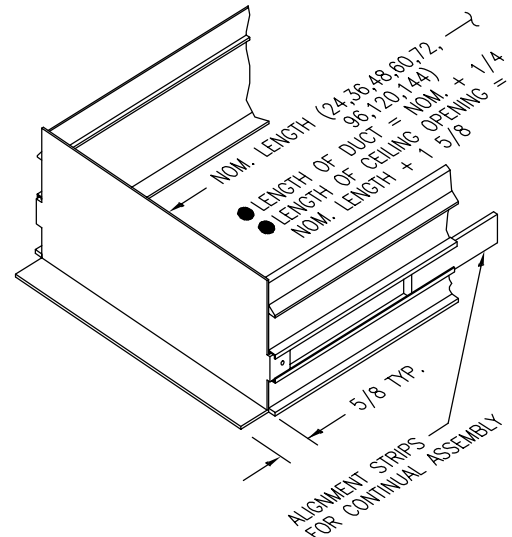
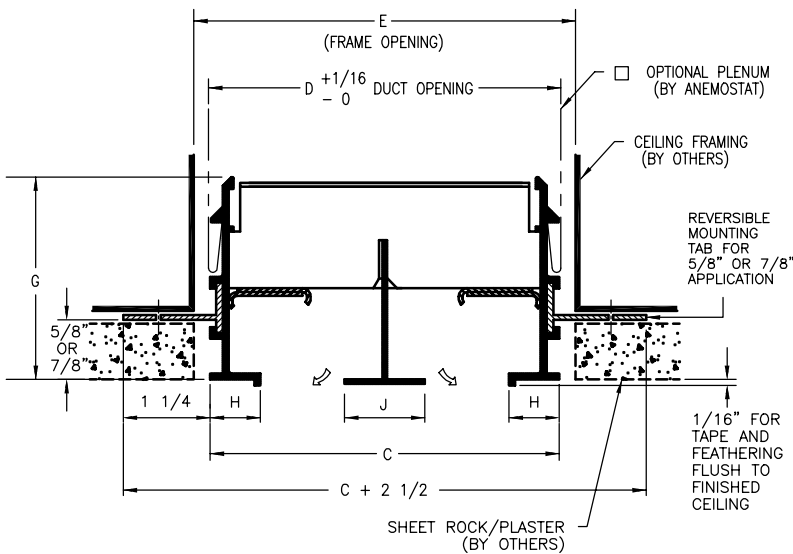
MODEL
FFCM-250
FREE FLO™
ARCHITECTURAL
LINEAR DIFFUSER
CONCEALED MOUNTING

SINGLE SLOT



FFCM-250 (2 1/2" SLOT WIDTH)						
# OF SLOTS	C	D	E	G	H	J
1	5 5/16	5 5/16	5 5/8	3 5/32	1 13/32	-
2	10 5/16	10 5/16	10 5/8			
3	15 5/16	15 5/16	15 5/8			
4	20 5/16	20 5/16	20 5/8			

MULTIPLE SLOT



END PLATE DETAIL

MATERIAL: .062 ALUMINUM EXTRUSION
GALVANIZED HARDWARE

FINISH: OUTER FRAME - BLACK
CENTER TEE - WHITE
INTERIOR COMPONENTS - BLACK

ASSEMBLY: ALIGNMENT STRIPS AND MOUNTING
BRACKETS FURNISHED FOR FIELD
ASSEMBLY AND INSTALLATION

MFG. TOLERANCE ± 1/32

All Dimensions are in Inches

JOB NAME:	SUBMITTED BY:
LOCATION:	
ARCHITECT:	
ENGINEER:	
CONTRACTOR:	
	DWG # LIN-0321
	DATE 9-4-03 REV A

810A0007A1