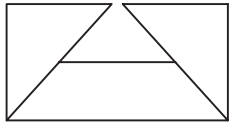


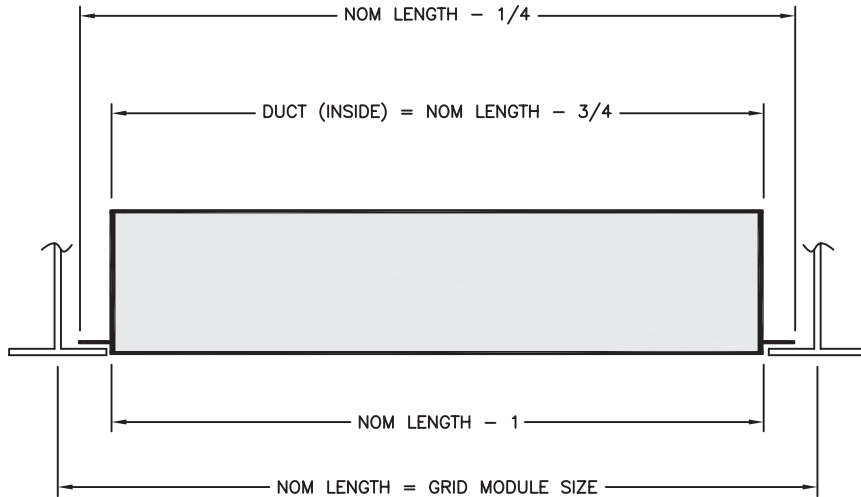
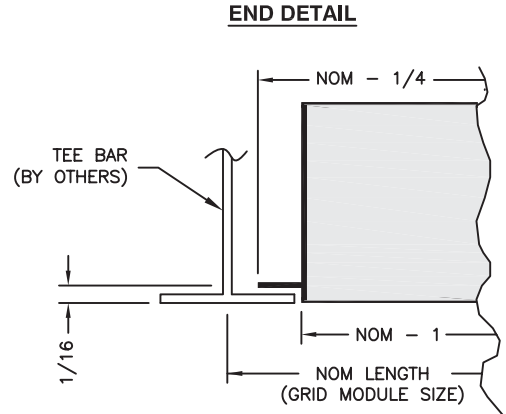
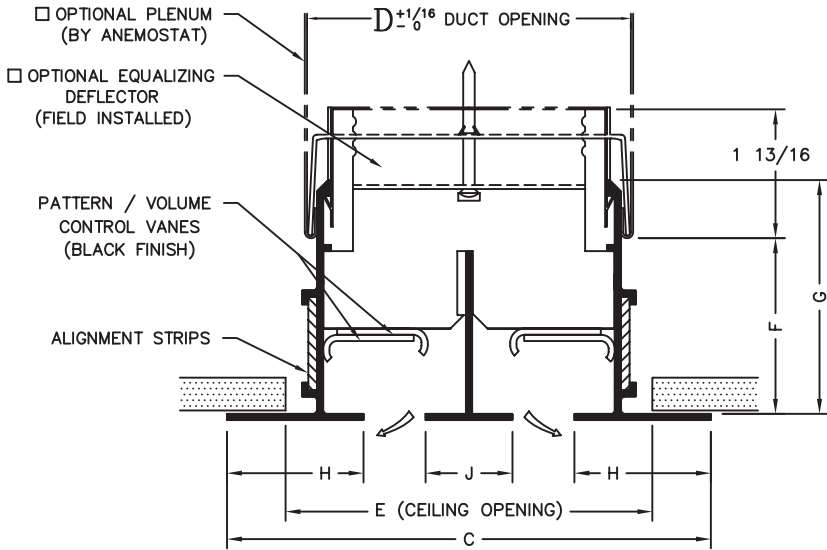
SUBMITTAL SHEET



from: **ANEMOSTAT**®

CARSON CA
310-835-7500

MODEL FFL-200
Free Flo™
ARCHITECTURAL
LINEAR DIFFUSER
15/16" LAY-IN T-BAR



DIFFUSER SIZE	FFL-200 2" SLOT WIDTH						
	C	D	E	F	G	H	J
1	5 1/2	4 5/16	4 3/8	1 25/32 to 2 5/32	2 5/8	1 3/4	-
2	9 1/2	8 5/16	8 3/8				2
3	13 1/2	12 5/16	12 3/8				
4	17 1/2	16 5/16	16 3/8				

FINISH: STANDARD FACTORY WHITE PAINT
BRACKETS AND ALIGNMENT STRIPS FURNISHED FOR FIELD ASSEMBLY AND INSTALLATION

All Dimensions are in Inches

JOB NAME:	SUBMITTED BY:
LOCATION:	
ARCHITECT:	
ENGINEER:	
CONTRACTOR:	DWG # LIN-0311
	DATE 9-8-08 REV A