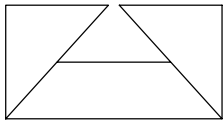


SUBMITTAL SHEET

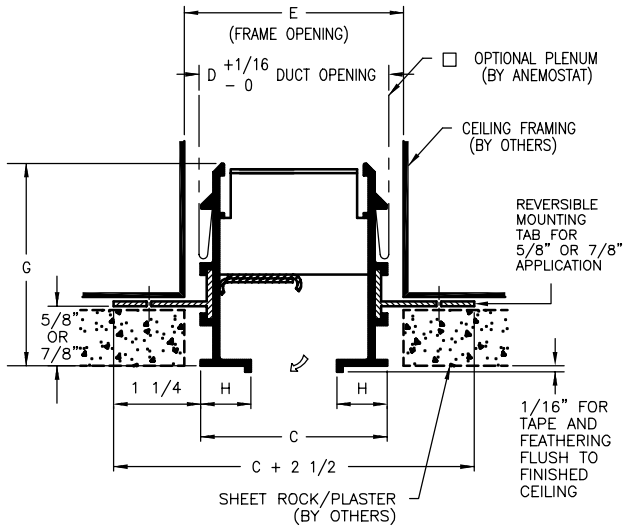


from: **ANEMOSTAT**®

CARSON CA
310-835-7500

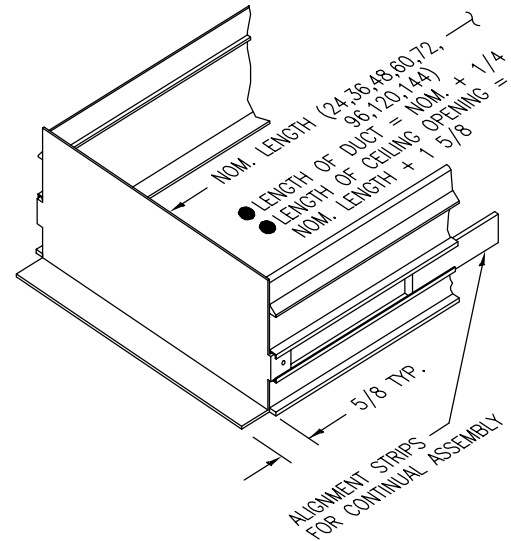
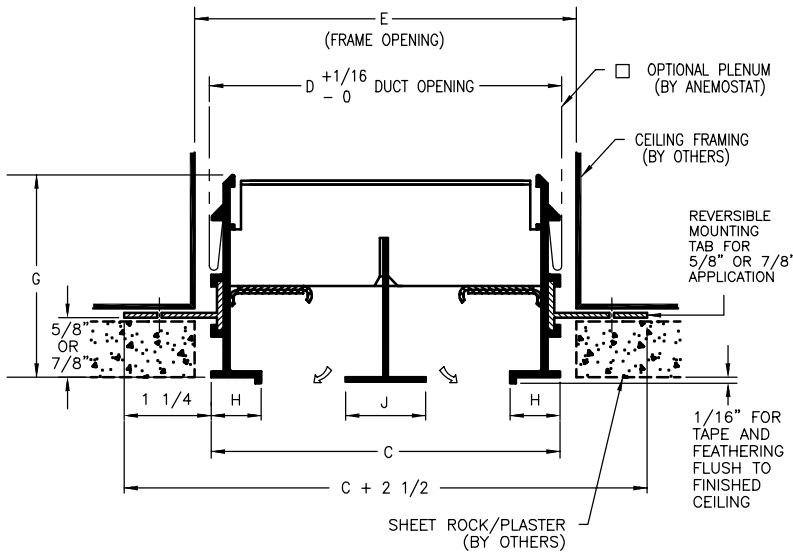
MODEL
FFCM-150
FREE FLO™
ARCHITECTURAL
LINEAR DIFFUSER
CONCEALED MOUNTING

SINGLE SLOT



FFCM-150 (1 1/2" SLOT WIDTH)						
# OF SLOTS	C	D	E	G	H	J
1	3 1/4	3 5/16	3 5/8	2 5/8	7/8	-
2	6 1/4	6 5/16	6 5/8			
3	9 1/4	9 5/16	9 5/8			
4	12 1/4	12 5/16	12 5/8			

MULTIPLE SLOT



END PLATE DETAIL

- MATERIAL:** .062 ALUMINUM EXTRUSION
GALVANIZED HARDWARE
- FINISH:** OUTER FRAME - BLACK
CENTER TEE - WHITE
INTERIOR COMPONENTS - BLACK
- ASSEMBLY:** ALIGNMENT STRIPS AND MOUNTING BRACKETS FURNISHED FOR FIELD ASSEMBLY AND INSTALLATION

MFG. TOLERANCE ± 1/32

All Dimensions are in Inches

JOB NAME:	SUBMITTED BY:
LOCATION:	
ARCHITECT:	
ENGINEER:	
CONTRACTOR:	DWG # LIN-0281
	DATE 9-4-03 REV A

810A0005A1