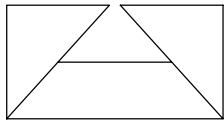


SUBMITTAL SHEET

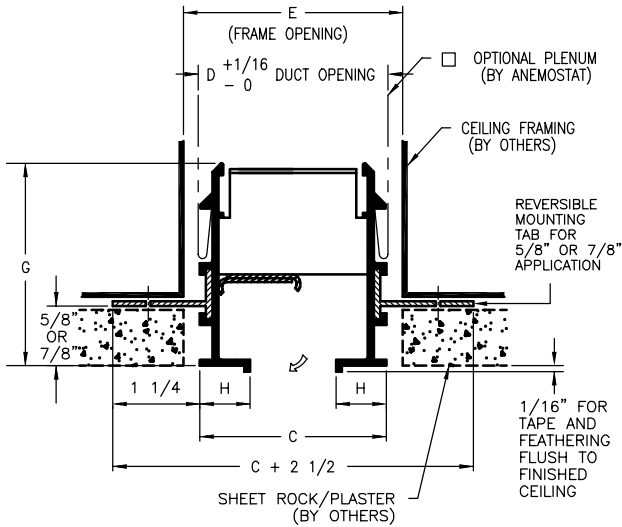


from: **ANEMOSTAT**®

CARSON CA
310-835-7500

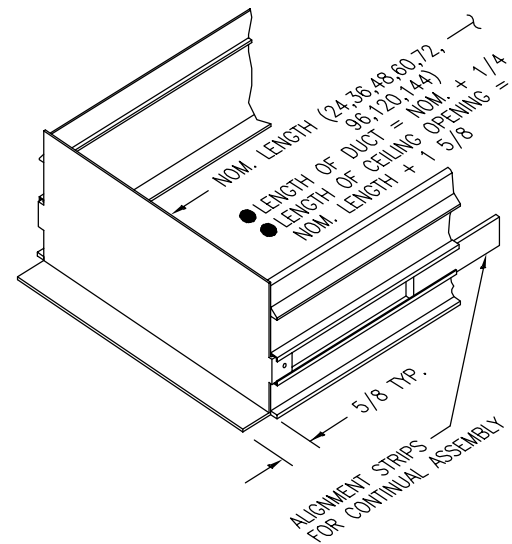
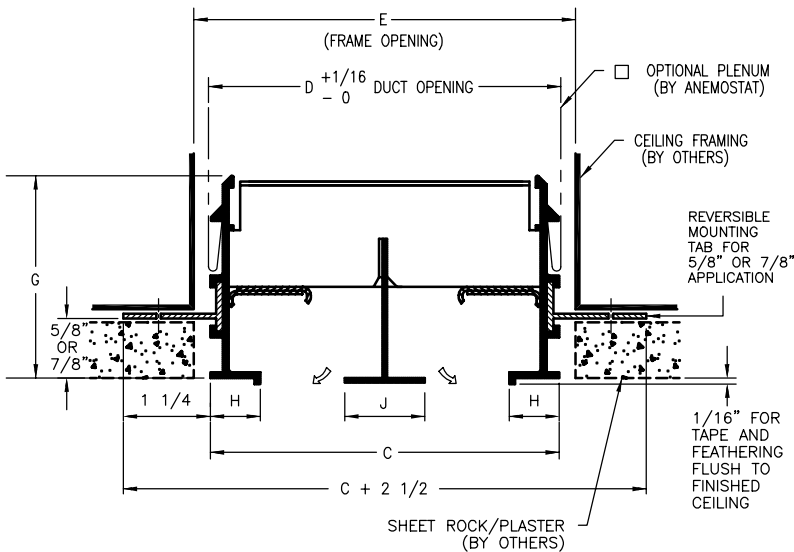
MODEL
FFCM-100
FREE FLO™
ARCHITECTURAL
LINEAR DIFFUSER
CONCEALED MOUNTING

SINGLE SLOT



| FFCM-100 (1" SLOT WIDTH) | | | | | | |
|--------------------------|--------|--------|-------|--------|-----|---|
| # OF SLOTS | C | D | E | G | H | J |
| 1 | 2 9/32 | 2 5/16 | 2 5/8 | 2 3/16 | 5/8 | - |
| 2 | 4 9/32 | 4 5/16 | 4 5/8 | | | 1 |
| 3 | 6 9/32 | 6 5/16 | 6 5/8 | | | |
| 4 | 8 9/32 | 8 5/16 | 8 5/8 | | | |

MULTIPLE SLOT



END PLATE DETAIL

- MATERIAL:** .062 ALUMINUM EXTRUSION
GALVANIZED HARDWARE
- FINISH:** OUTER FRAME - BLACK
CENTER TEE - WHITE
INTERIOR COMPONENTS - BLACK
- ASSEMBLY:** ALIGNMENT STRIPS AND MOUNTING BRACKETS FURNISHED FOR FIELD ASSEMBLY AND INSTALLATION

MFG. TOLERANCE ± 1/32

All Dimensions are in Inches

| | |
|-------------|-------------------|
| JOB NAME: | SUBMITTED BY: |
| LOCATION: | |
| ARCHITECT: | |
| ENGINEER: | |
| CONTRACTOR: | DWG # LIN-0280 |
| | DATE 9-4-03 REV A |

810A0004A1