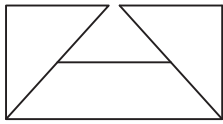


SUBMITTAL SHEET



from: **ANEMOSTAT**®

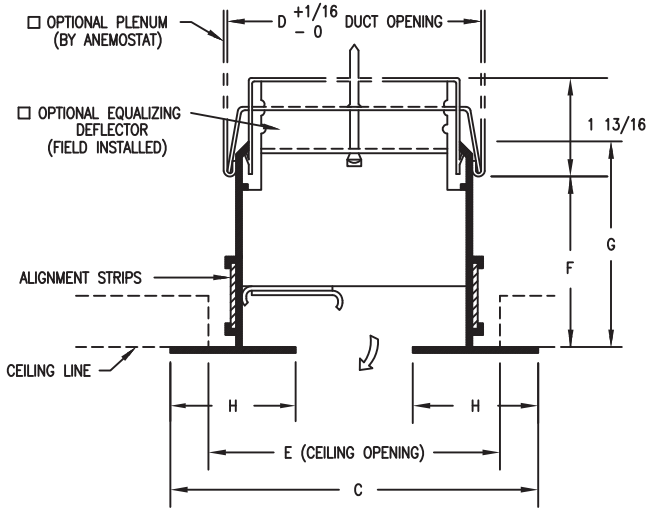
CARSON CA  
310-835-7500

MODEL  
**FFS-150**

Free Flo™  
ARCHITECTURAL  
LINEAR DIFFUSER  
SURFACE MOUNTING

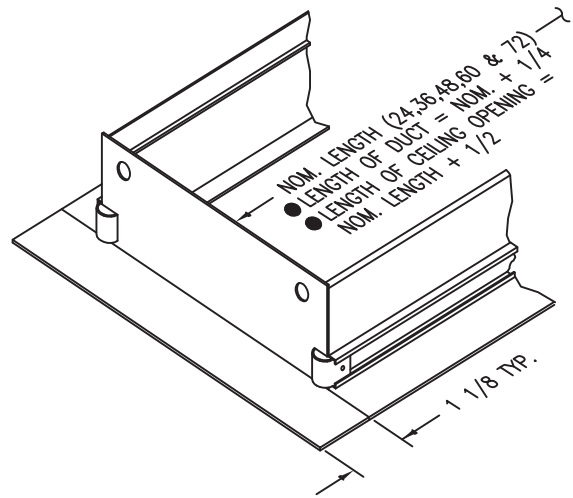
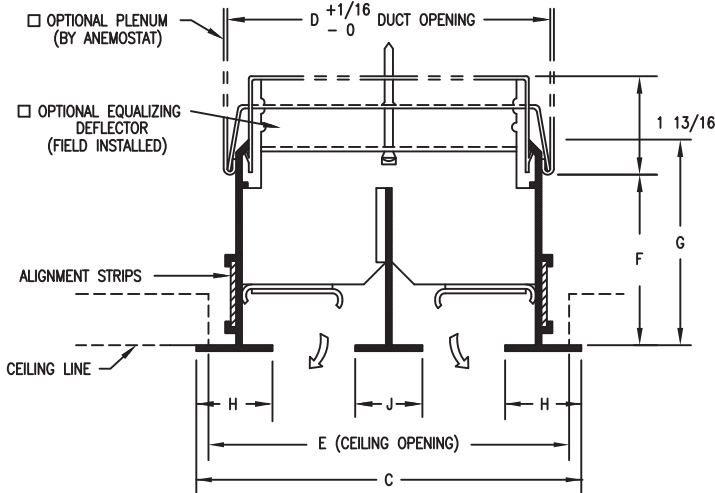
MODEL FFR-150 RETURN EXCLUDES PATTERN CONTROLLERS

SINGLE SLOT



FFS-150 (1 1/2" SLOT WIDTH)							
# OF SLOTS	C	D	E	F	G	H	J
1	4 1/2	3 5/16	3 3/8	1 23/32 TO 2 3/32	2 9/16	1 1/2	-
2	7 1/2	6 5/16	6 3/8				1 1/2
3	10 1/2	9 5/16	9 3/8				
4	13 1/2	12 5/16	12 3/8				

MULTIPLE SLOT



END PLATE DETAIL

- MATERIAL: .062 ALUMINUM EXTRUSION  
GALVANIZED HARDWARE
- FINISH: FACING - WHITE  
INTERIOR COMPONENTS - BLACK
- ASSEMBLY: ALIGNMENT STRIPS AND MOUNTING  
BRACKETS FURNISHED FOR FIELD  
ASSEMBLY AND INSTALLATION

MFG. TOLERANCE ± 1/32

All Dimensions are in Inches

JOB NAME:	SUBMITTED BY:
LOCATION:	
ARCHITECT:	
ENGINEER:	DWG # LIN-0277
CONTRACTOR:	DATE 8-18-11 REV A