
 Model **GC5LNS**
GRID CORE RETURN
 1/2" X 1/2" X 1/2" CORE
 LAY-IN T-BAR
 13/16" BORDER
 45° NO-SITE CORE

SUBMITTAL SHEET

PRODUCT FEATURES

- 1/2" x 1/2" x 1/2" aluminum core
- Registers include a factory attached, steel opposed blade volume control damper
- Rectangular Sizes - core deflection is parallel to long dimension

CONSTRUCTION DETAILS

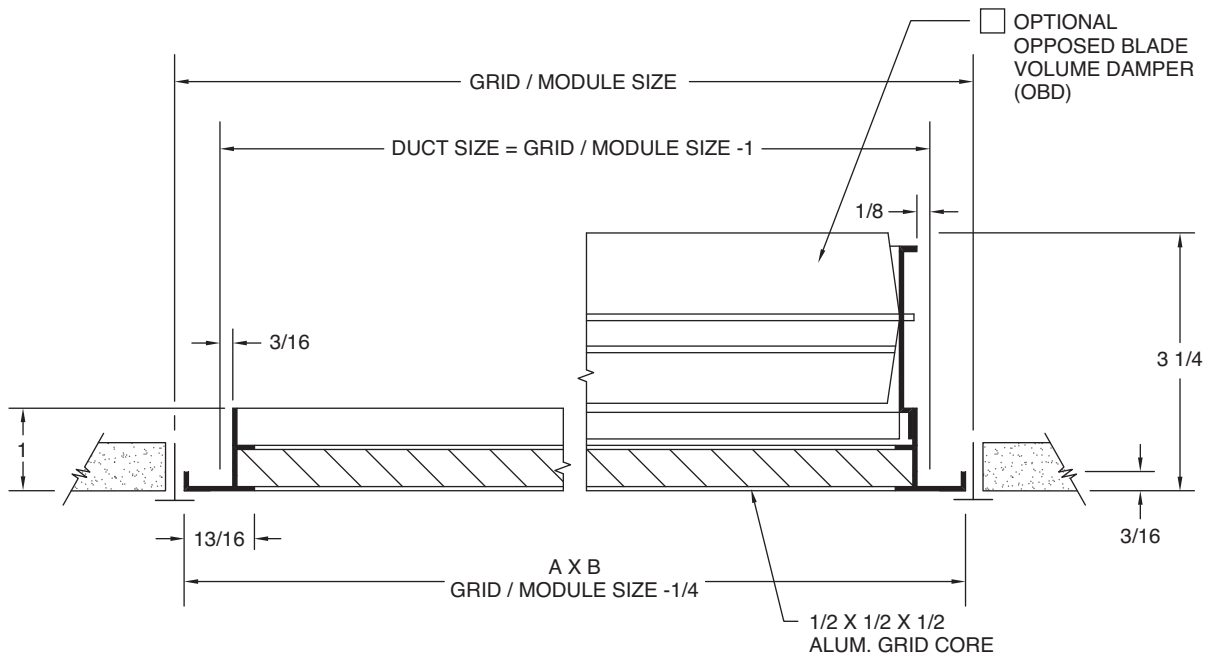
Material: Extruded Aluminum Frame (std)

Finish:

- Arctic White (std)
- Custom Color (opt)

Models

- GC5LNS** Grille
- GC5LNS-O** Register with steel OBD (face operated)



GRID / MODULE SIZE	A	B	DUCT SIZE
12 x 12	11 3/4	11 3/4	11 x 11
24 x 12	23 3/4	11 3/4	23 x 11
24 x 24	23 3/4	23 3/4	23 x 23
48 x 24	47 3/4	23 3/4	47 x 23

OTHER MODULE SIZES AVAILABLE

All dimensions are in inches.

JOB NAME:
SUBMITTED BY: