

Anemostat[®]
SUBMITTAL
 A MESTEK COMPANY

1220 Watson Center Road • Carson, CA 90745-4206
 (310) 835-7500 • FAX (310) 835-0448
 air@anemostat.com • www.anemostat.com



Model **FR3**
HINGED RETURN FILTER GRILLE
 ALUMINUM BAR GRILLE CORE
 (ROTO CORE TYPE)
 SURFACE MOUNTED

GRILLES & REGISTERS

PRODUCT FEATURES

- Aluminum Bar Grille Core (Roto Core Style)
- Piano Hinge Construction
- 1/4-Turn Latch(es). Qty=2 on size 24" & up
- Concealed fastening thru neck of grille
- Sizes 6" x 4" to 48" x 48" maximum single piece construction
- Recommended Filter Size (Actual) = (Nom Width - 1/2") x (Nom Height - 1/2")

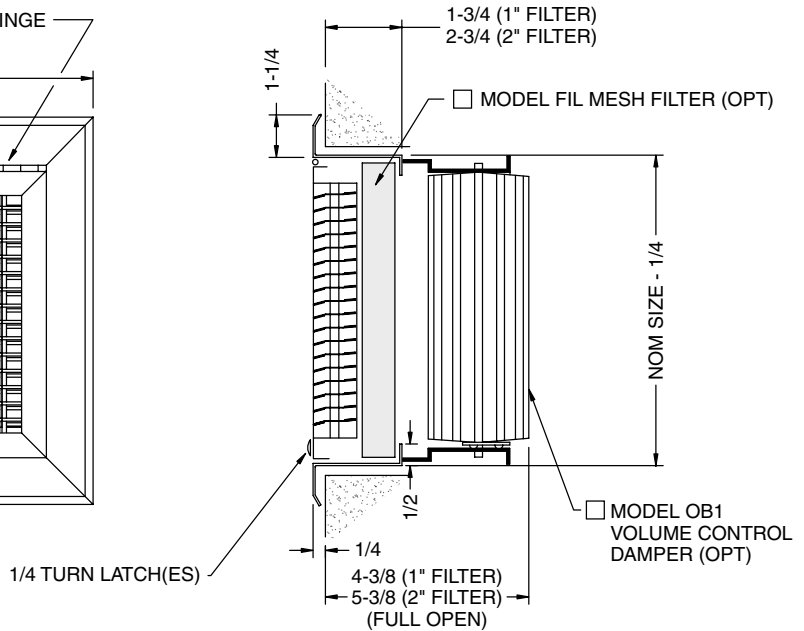
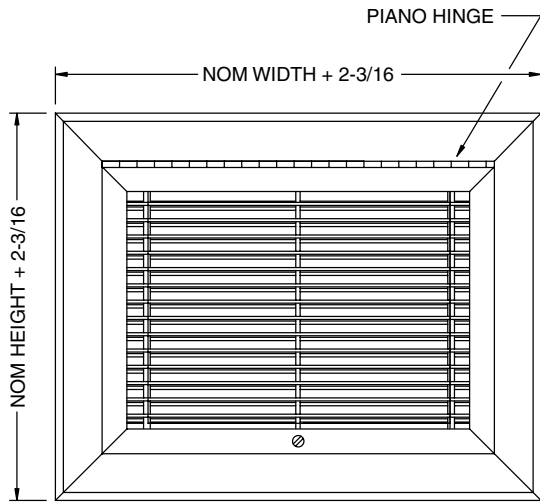
CONSTRUCTION DETAILS

Material:

- Steel

Finish:

- Arctic White
- Satin Polish
- Custom Color _____



MODEL	FILTER SIZE	TYPE	BLADE DIR.	DUCT (W X H)
FR3 Aluminum Bar Grille Core	1L 1 1" Filter 2 2" Filter 1S 1" Filter, Hinge on Short Dim. 1L 1" Filter, Hinge on Long Dim. 2S 2" Filter, Hinge on Short Dim. 2L 2" Filter, Hinge on Long Dim.	H Hinged Core	L - N/A (Sq.) L Long Blade S Short Blade	24.00 / 12.00 06.00 to 48.00 6" up to 48"

Dimensions are in inches (millimeters).

JOB NAME:

SUBMITTED BY: