

**Anemostat**<sup>®</sup>  
**SUBMITTAL**  
 A MESTEK COMPANY

1220 Watson Center Road • Carson, CA 90745-4206  
 (310) 835-7500 • FAX (310) 835-0448  
 air@anemostat.com • www.anemostat.com



**Model F30**  
**HINGED RETURN FILTER GRILLE**  
 0° DEFLECTION  
 3/4" BLADE SPACING  
 LAY-IN T-BAR

## GRILLES & REGISTERS

### PRODUCT FEATURES

- 3/4" Louver Spacing
- Piano Hinge Construction
- 1/4-Turn Latch(es). Qty=2 on size 24" & up
- Louvers parallel to short or long dimension
- Recommended Filter Size (Actual) = Grid Module Size -3-1/8"

### CONSTRUCTION DETAILS

**Material:**

Steel

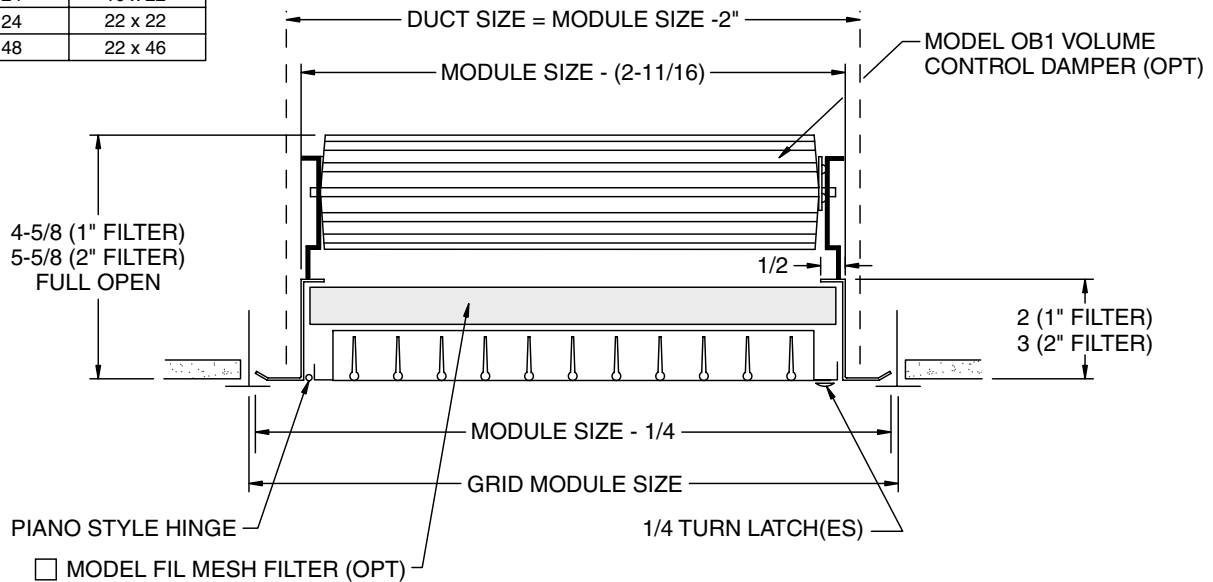
**Finish:**

Arctic White

Satin Polish

Custom Color \_\_\_\_\_

AVAILABLE SIZES	
MODULE SIZE	DUCT SIZE
12 x 12	10 x 10
12 x 24	10 x 22
24 x 24	22 x 22
24 x 48	22 x 46



MODEL	FILTER SIZE	TYPE	BLADE DIR.	DEFL.	DUCT (W X H)	APPLICATION	MODULE
<b>F30</b>	<b>1L</b>	<b>H</b>	<b>L</b>	<b>0</b>	<b>22.00 / 22.00</b>	<b>L</b>	<b>22</b>
3/4" Blade Spacing	1 1" Filter 2 2" Filter 1S 1" Filter, Hinge on Short Dim. 1L 1" Filter, Hinge on Long Dim. 2S 2" Filter, Hinge on Short Dim. 2L 2" Filter, Hinge on Long Dim.	Hinged Core	- N/A (Sq.) L Long Blade S Short Blade	0°		Inverted T-Bar, 15/16"	- N/A 11 12" x 12" 12 12" x 24" 22 24" x 24" 24 24" x 48"

Dimensions are in inches (millimeters).

JOB NAME:

SUBMITTED BY: