

SUBMITTAL SHEET

PRODUCT FEATURES

- Linear slot diffuser for a combination of surface mounted / lay-in t-bar and beveled frame for plaster concealed (drywall)
- Internal controllers adjustable for pattern and volume control

CONSTRUCTION FEATURES

- Material:**
Extruded aluminum
- Finish:**
- Arctic White Surface Frame
Black Plaster Frame
(Black Pattern/Volume Controllers)
 - Natural Anodize
(Black Pattern/Volume Controllers)
 - Custom Color : _____

SUPPLY MODELS

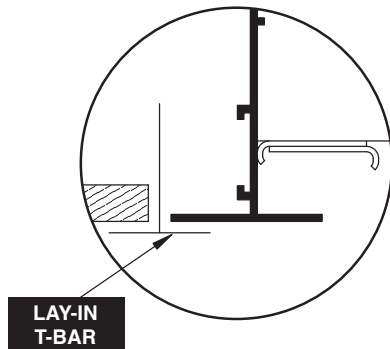
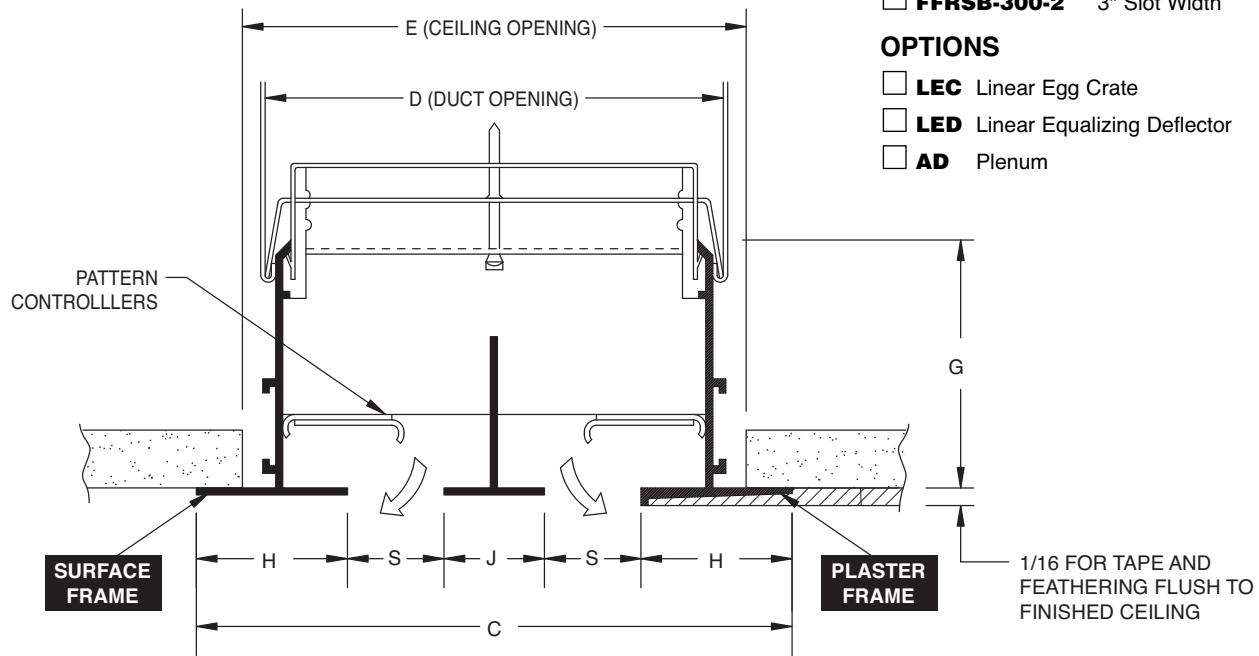
- FFSB-100-2** 1" Slot Width
- FFSB-150-2** 1-1/2" Slot Width
- FFSB-200-2** 2" Slot Width
- FFSB-250-2** 2-1/2" Slot Width
- FFSB-300-2** 3" Slot Width

RETURN MODELS (No Internal Controllers)

- FFRSB-100-2** 1" Slot Width
- FFRSB-150-2** 1-1/2" Slot Width
- FFRSB-200-2** 2" Slot Width
- FFRSB-250-2** 2-1/2" Slot Width
- FFRSB-300-2** 3" Slot Width

OPTIONS

- LEC** Linear Egg Crate
- LED** Linear Equalizing Deflector
- AD** Plenum



2-SLOT							
MODEL	S	C	D	E	G	H	J
FFSB-100-2	1	5-1/2	4-5/16	4-3/8	2-1/16	1-1/4	1
FFSB-150-2	1-1/2	7-1/2	6-5/16	6-3/8	2-9/16	1-1/2	1-1/2
FFSB-200-2	2	9-1/2	8-5/16	8-3/8	2-5/8	1-3/4	2
FFSB-250-2	2-1/2	11-1/2	10-5/16	10-3/8	3-3/32	2	2-1/2
FFSB-300-2	3	13	12-5/16	12-3/8	3-7/32	2	3

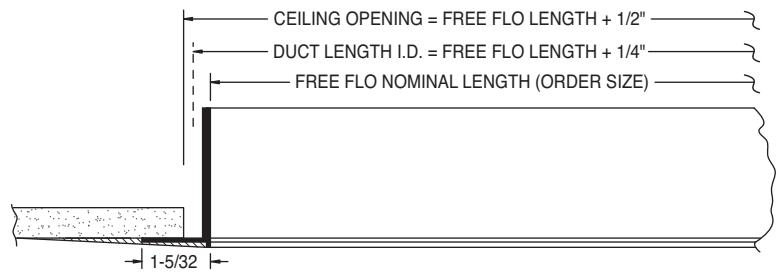
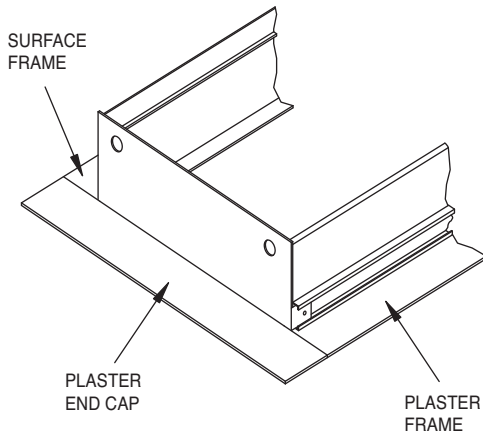
All dimensions are in inches.

JOB NAME:

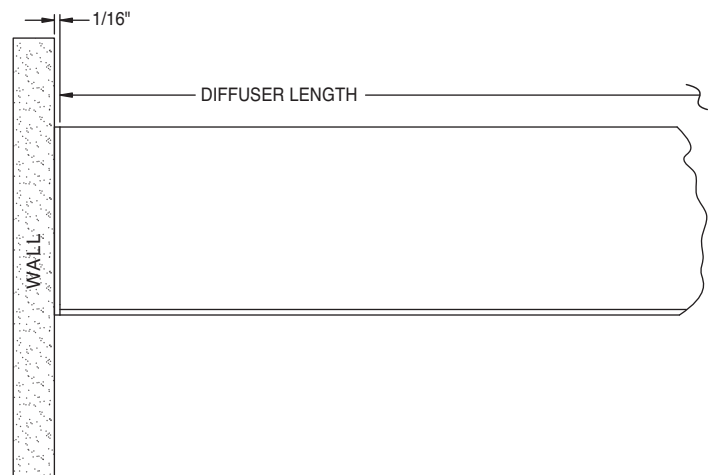
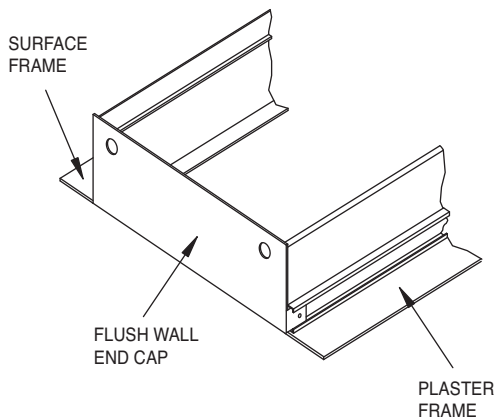
SUBMITTED BY:

SUBMITTAL SHEET

TYPE "A" END PLATE - PLASTER



TYPE "B" END PLATE - FLUSH



All dimensions are in inches.

JOB NAME:

SUBMITTED BY: