

SUBMITTAL SHEET

PRODUCT FEATURES

- Linear slot diffuser for a combination of surface mounted / lay-in t-bar and beveled frame for plaster concealed (drywall)
- Internal controllers adjustable for pattern and volume control

CONSTRUCTION FEATURES

- Material:**
Extruded aluminum
- Finish:**
- Arctic White Surface Frame
Black Plaster Frame
(Black Pattern/Volume Controllers)
 - Natural Anodize
(Black Pattern/Volume Controllers)
 - Custom Color : _____

SUPPLY MODELS

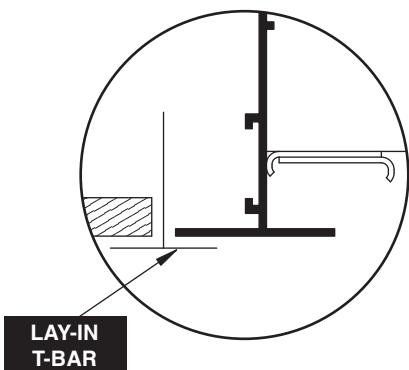
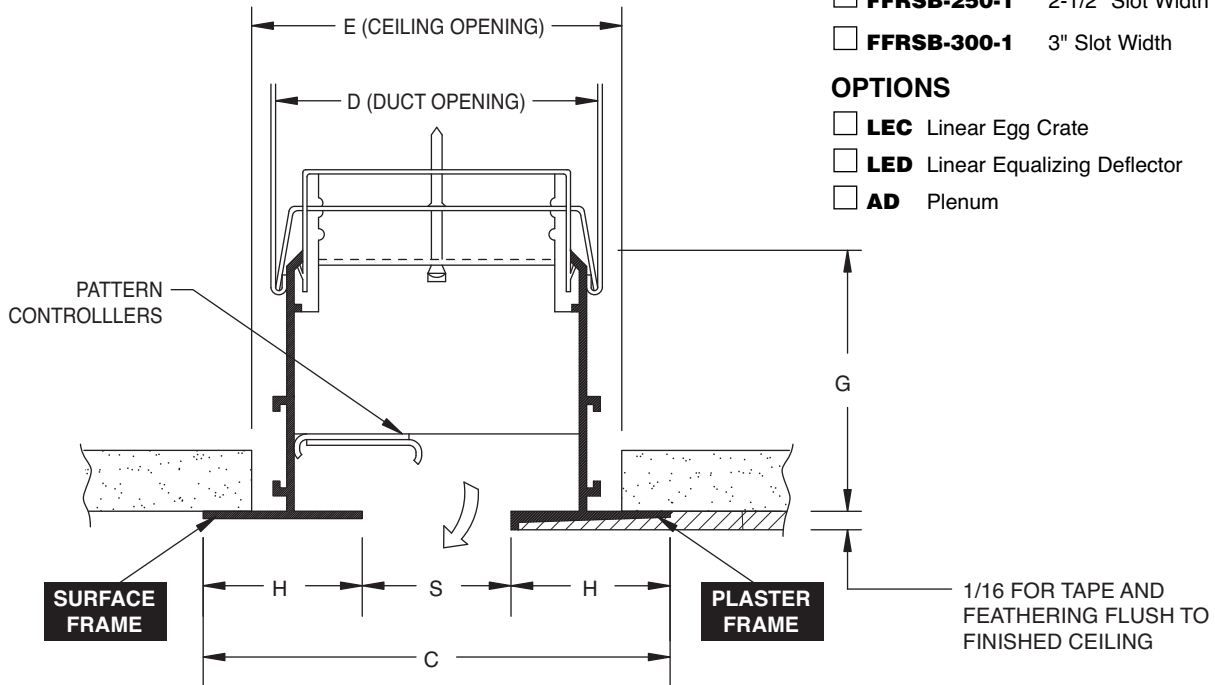
- FFSB-100-1** 1" Slot Width
- FFSB-150-1** 1-1/2" Slot Width
- FFSB-200-1** 2" Slot Width
- FFSB-250-1** 2-1/2" Slot Width
- FFSB-300-1** 3" Slot Width

RETURN MODELS (No Internal Controllers)

- FFRSB-100-1** 1" Slot Width
- FFRSB-150-1** 1-1/2" Slot Width
- FFRSB-200-1** 2" Slot Width
- FFRSB-250-1** 2-1/2" Slot Width
- FFRSB-300-1** 3" Slot Width

OPTIONS

- LEC** Linear Egg Crate
- LED** Linear Equalizing Deflector
- AD** Plenum



1-SLOT						
MODEL	S	C	D	E	G	H
FFSB-100-1	1	3-1/2	2-5/16	2-3/8	2-1/16	1-1/4
FFSB-150-1	1-1/2	4-1/2	3-5/16	3-3/8	2-9/16	1-1/2
FFSB-200-1	2	5-1/2	4-5/16	4-3/8	2-5/8	1-3/4
FFSB-250-1	2-1/2	6-1/2	5-5/16	5-3/8	3-3/32	2
FFSB-300-1	3	7	6-5/16	6-3/8	3-7/32	2

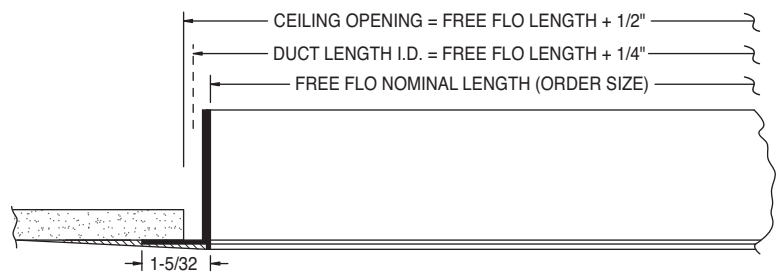
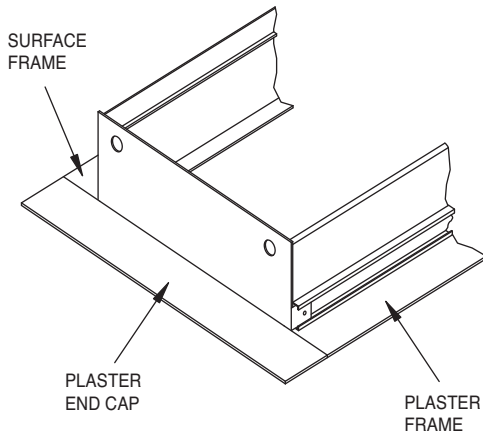
All dimensions are in inches.

JOB NAME:

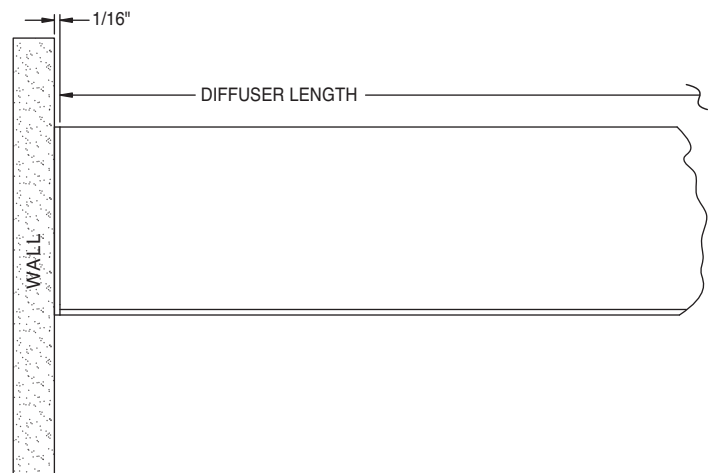
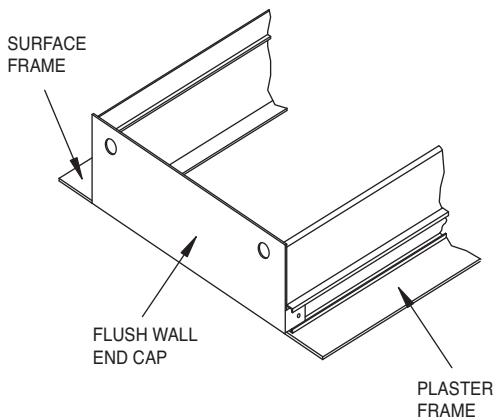
SUBMITTED BY:

SUBMITTAL SHEET

TYPE "A" END PLATE - PLASTER



TYPE "B" END PLATE - FLUSH



All dimensions are in inches.

JOB NAME:

SUBMITTED BY: