

SUBMITTAL SHEET

PRODUCT FEATURES

- Linear slot diffuser for exposed, round duct installations
- Internal controllers adjustable for pattern and volume control

CONSTRUCTION FEATURES

- Material:**
 Aluminum Extrusions
 (Plated Steel Hardware)
- Finish:**
- Arctic White Baked Finish
- Custom Colors _____

SUPPLY MODELS

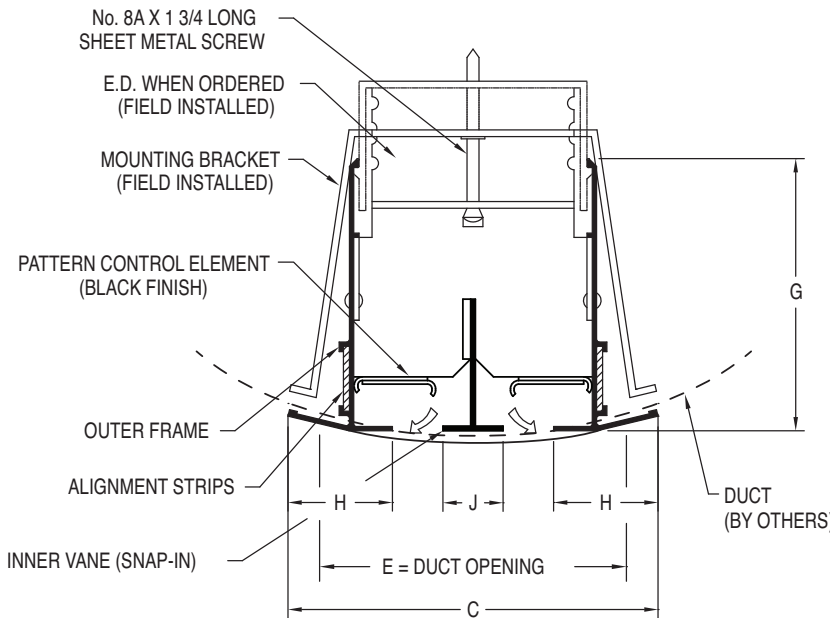
- FF-DM-100** 1" Slot Width (1-4 slots)
- FF-DM-150** 1-1/2" Slot Width (1-4 slots)
- FF-DM-200** 2" Slot Width (1-4 slots)

RETURN MODELS (No Internal Controllers)

- FFR-DM-100** 1" Slot Width (1-4 slots)
- FFR-DM-150** 1-1/2" Slot Width (1-4 slots)
- FFR-DM-200** 2" Slot Width (1-4 slots)

OPTIONS

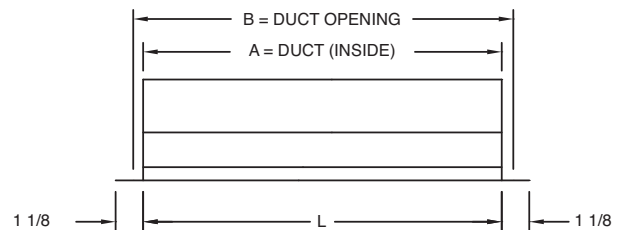
- LEC** Linear Egg Crate
- LED** Linear Equalizing Deflector



FF-DM-100 (1" SLOT WIDTH)						
# SLOTS	C	E	H	J	G	MIN DUCT ϕ
1	3-1/2	2-3/8	1-1/4	-	2-1/16	7
2	5-1/2	4-3/8	1-1/4	1	2-1/16	12
3	7-1/2	6-3/8	1-1/4	1	2-1/16	16
4	9-1/2	8-3/8	1-1/4	1	2-1/16	20

FF-DM-200 (2" SLOT WIDTH)						
# SLOTS	C	E	H	J	G	MIN DUCT ϕ
1	5-1/2	4-3/8	1-3/4	-	2-5/8	12
2	9-1/2	8-3/8	1-3/4	2	2-5/8	20
3	13-1/2	12-3/8	1-3/4	2	2-5/8	30
4	17-1/2	16-3/8	1-3/4	2	2-5/8	34

FF-DM-150 (1-1/2" SLOT WIDTH)						
# SLOTS	C	E	H	J	G	MIN DUCT ϕ
1	4-1/2	3-3/8	1-1/2	-	2-9/16	10
2	7-1/2	6-3/8	1-1/2	1-1/2	2-9/16	16
3	10-1/2	9-3/8	1-1/2	1-1/2	2-9/16	22
4	13-1/2	12-3/8	1-1/2	1-1/2	2-9/16	28



"L" - NOMINAL LENGTH (UP TO 72)
 "A" - LENGTH OF DUCT (NOMINAL LENGTH + 1/4)
 "B" - LENGTH OF DUCT OPENING (NOMINAL LENGTH + 1/2)

All dimensions are in inches.

JOB NAME:

SUBMITTED BY: