



# Anemostat®

## SUBMITTAL

A MESTEK COMPANY

1220 Watson Center Road • Carson, CA 90745-4206  
 (310) 835-7500 • FAX (310) 835-0448  
 air@anemostat.com • www.anemostat.com

Model **EPLX / EPLX-D**  
**SQUARE 3-CONE DIFFUSER**  
 24 X 24 LAY-IN T-BAR  
 NOMINAL 12 X 12  
 LOUVER FACE WITH EXTENSION PANEL

### DIFFUSERS

#### PRODUCT FEATURES

- 360° horizontal air pattern
- Adjustment of optional damper thru center cone
- Removable inner cone assembly

#### CONSTRUCTION DETAILS

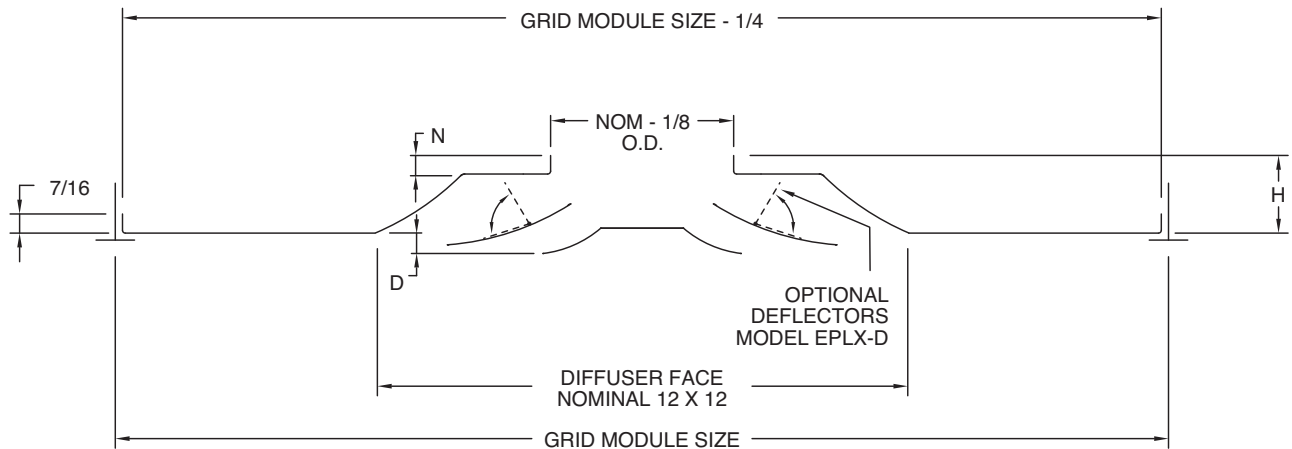
- Material:** 22 GA Cold Rolled Steel (**std**)  
 18 GA Aluminum (opt)
- Finish:** White (**std**)  
 Custom Colors (opt)

#### MODELS

- EPLX**
- EPLX-D** With Deflectors for Horizontal Pattern Control (1, 2, 3, 4 Way)

#### GRID MODULE SIZE

- 12 X 24
- 24 X 24
- 24 X 48



NOM INLET SIZE	12 X 12 DIFFUSER FACE		
	H	N	D
4ø	3-3/8	1	3/8
5ø	3-3/8		
6ø	2-3/8		
8ø	2		

4", 5", is 6" with adaptor

All dimensions are in inches.

JOB NAME:

SUBMITTED BY: