

PRODUCT FEATURES

- The Dx-P ceiling supply diffuser includes internal nozzles that mixes supply air with induction air.
- Various capacities available to match space and loading conditions.
- 1/2" internal fiberglass insulation is standard.
- Side oval inlet collar allow for a low profile installation.
- Air flow balancing port to determine supply air quantity.
- Plenum is coated steel

DIFFUSER CONSTRUCTION DETAILS

Material: 22 GA Cold Rolled Steel (std)

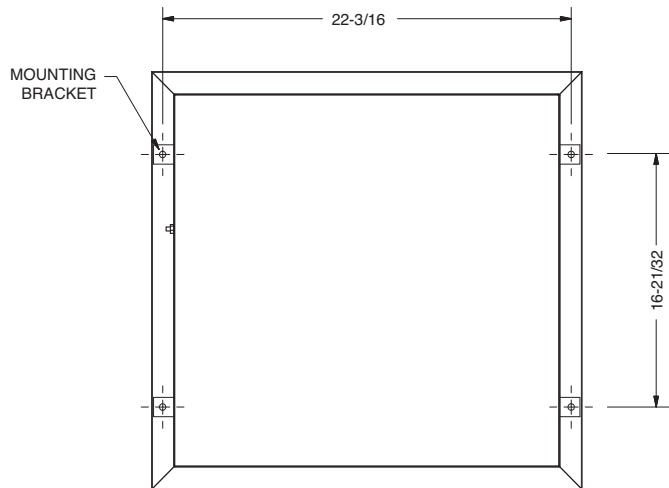
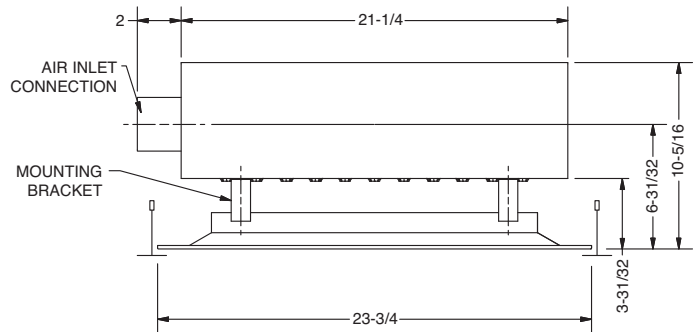
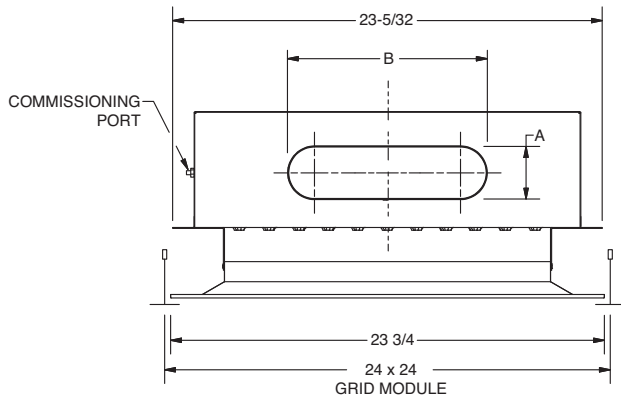
- 20 GA Aluminum (opt)
- 22 GA 304 Stainless Steel (opt)

Diffuser Finish: White (std)

- Custom Colors (opt)

Accessories

- DQ** Damper



MOUNTING HOLE LOCATION

PLAN VIEW

MODEL Dx-P • CEILING PLENUM INDUCTION			
CAPACITY	INLET SIZE (OVAL)	A	B
A	6	4	6-15/16
B	6	4	6-15/16
C	8	4	10-3/32
D	10	4	13-1/4
E	10	4	13-1/4
F	10	4	13-1/4

All dimensions are in inches.

JOB NAME:

SUBMITTED BY: