



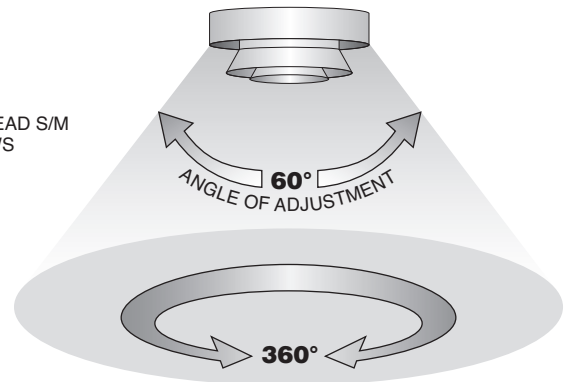
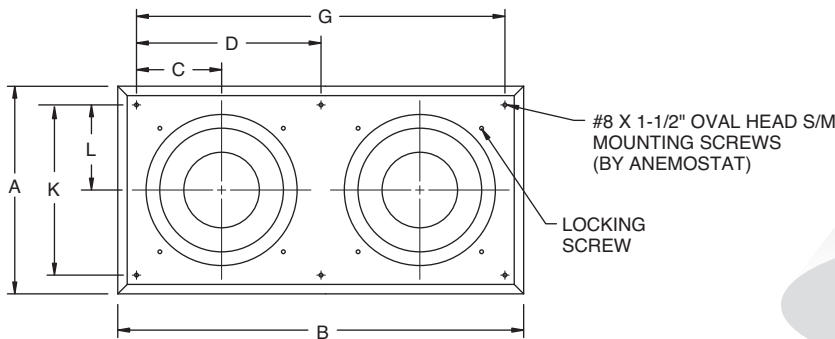
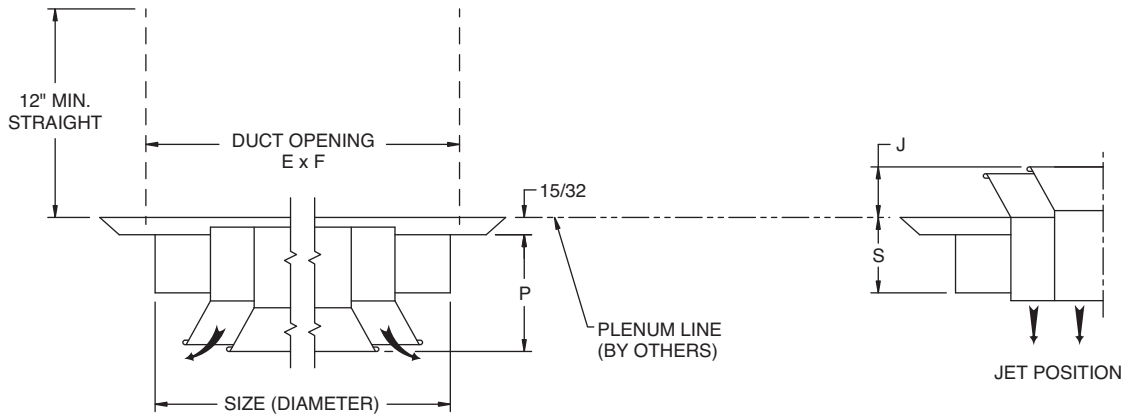
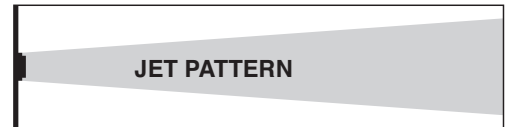
Model **DJ-2**  
**DIFFUS-A-JET**  
**JET DIFFUSER**  
ADJUSTABLE THROW  
(Jet or Diffused)  
ADJUSTABLE DIRECTION

**PRODUCT FEATURES**

- Reversible, rotating nozzle provides a long throw jet pattern, or diffused, short throw pattern – without using volume dampers
- Field adjustable pattern and direction – from the face of the outlet
- Directional control within a 60° arc
- 8", 10", 12", 15" diameter nozzles

**CONSTRUCTION FEATURES**

- Material:**
- Steel
  - Aluminum
- Finish:**
- Arctic White
  - Custom Color : \_\_\_\_\_



DJ - 2												
SIZE	A	B	E	F	J	P	S	C	D	G	K	L
8"	11	22	8-1/2	19-1/2	1-1/4	3	2	4-1/2	10	20	9	4-1/2
10"	13-3/4	26-1/2	10-1/2	23-1/4	1-3/4	4-1/4	2-1/4	5-11/16	12-1/16	24-1/8	11-3/8	5-11/16
12"	16-1/2	31	12-1/2	27	3	4-3/4	2-1/2	6-7/8	14-1/8	28-1/4	13-3/4	6-7/8
15"	18	36	15-1/2	33-1/2	4	5-3/4	3-3/8	8-1/8	17-1/8	34-1/4	16-1/4	8-1/8

All dimensions are in inches.

JOB NAME:

SUBMITTED BY: