

SUBMITTAL SHEET

www.anemostat-hvac.com

PRODUCT FEATURES

- Converts hard ceiling opening to lay-in
- Provides ceiling access
- Pre-punched holes in neck

CONSTRUCTION DETAILS

Material:

Aluminum

- White Finish is Standard

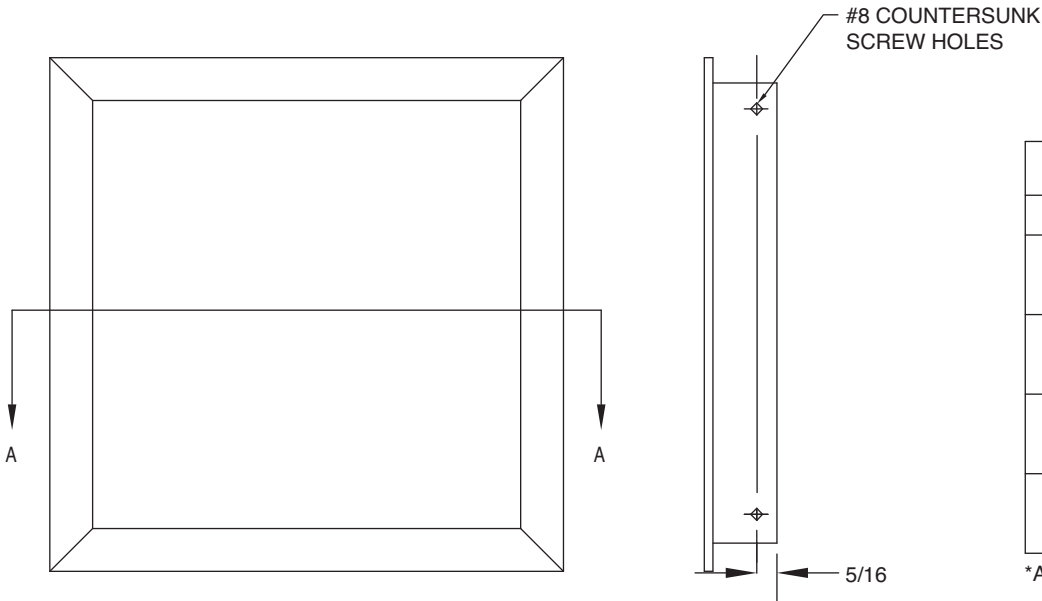
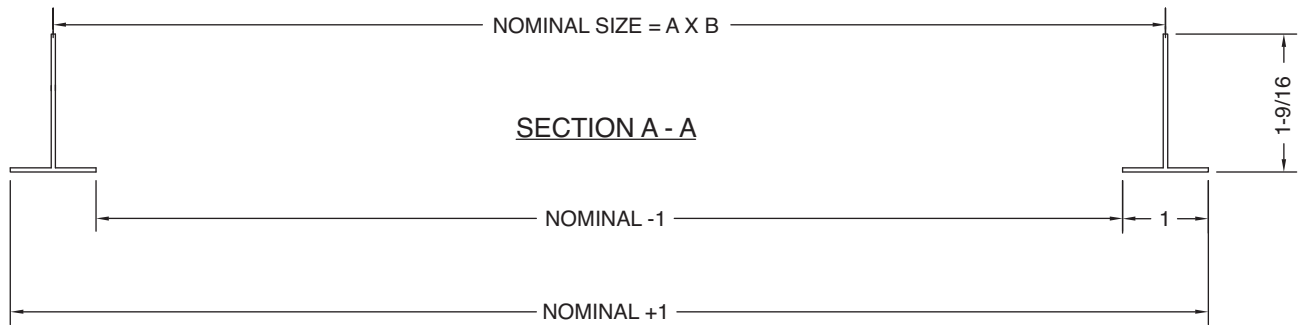
Stainless Steel

- 20 GA 304 stainless steel (std)
 20 GA 316 stainless steel (opt)

Finish: Satin polish (std)

MODELS

- TBF-AL** Aluminum
 TBF-04 304 Stainless Steel
 TBF-16 316 Stainless Steel



| Typical Sizes* | |
|----------------|----|
| A | B |
| 12 | 12 |
| 12 | 48 |
| 24 | 24 |
| 24 | 48 |

*All other sizes available

All dimensions are in inches.

JOB NAME:

SUBMITTED BY: