

### Description and Application

The CTE-5100 Electronic Room Thermostat series is designed for use with the CSP-5001/5002 Flow Controller-Actuator and/or the REE-1000/4000 series auxiliary relays. Other high impedance (10K ohms or higher) controls, such as MEP series actuators and VEB series valves requiring a 0 to 10 VDC control circuit, may be controlled via any of the CTE-5100 series thermostats. The CTE-5100 series thermostats have both limited and non-limited outputs. The limited output is used to provide adjustable minimum and maximum limits to a CSP-5001/5002 or impose electronic limits to a proportional actuator or valve.

Models are available for cooling, heating, cooling with reheat, cooling/heating changeover, day/night, or night/day applications. Temperature averaging and/or overrides are also available.

**All thermostats require a scale plate assembly and cover, which may be ordered separately or as part of a value package containing the most frequently ordered accessories** (see the Accessories and Value Packages sections). Thermostat and accessories styling feature the setpoint indicator and/or thermometer to be visible or concealed, setpoint adjustment locked or restricted, vertical or horizontal mounting, and attractive color finishes in plastic or metal.

### Features

- ◆ Available for cooling, heating, cooling w/reheat, cooling/heating changeover, day/night, or night/day applications
- ◆ Single or dual setpoint models
- ◆ Outputs w/ adjustable min./max. limits or no limits
- ◆ Visible or hidden setpoint indicator

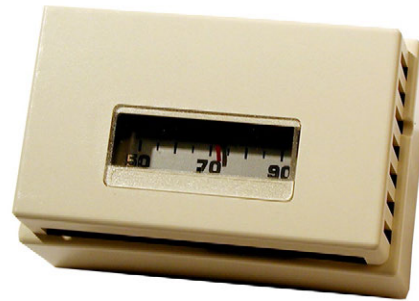
### Models

The following models are available (**scale plates and covers are not included**— see **Accessories**):

CTE-5101	Single setpoint, direct acting
CTE-5103	Dual setpoint, DA and RA
CTE-5104	Dual setpoint, direct and reverse acting (no T4 output)



Still... Made in the U.S.A.



(Shown with Horizontal Scale Plate and Light Almond Cover Installed)

### Specifications

<b>Supply Voltage</b>	16 VDC (9 mA) (14 to 20 VDC)
<b>Output Range</b>	0 to 10 VDC
<b>Temperature Range</b>	55 to 85° F (13 to 29° C)
<b>Proportional Band</b>	
CTE-5101/5103	2° F (1.1° C) w/ limits output (T1/T2) 4° F (2.2° C) w/o limits output (T3/T4)
CTE-5104	2° F (1.1° C) w/ and w/o limits output (T1/T2/T3)
<b>Thermostat Action</b>	
CTE-5101	Direct Acting (DA) T1/T3
CTE-5103	Direct Acting (DA) T1/T3 Reverse Acting (RA) T2/T4
CTE-5104	Direct Acting (DA) T1/T3 Reverse Acting (RA) T2
<b>Connections</b>	Wire clamp type, 14-22 AWG
<b>Base Material</b>	Black flame-retardant plastic
<b>Size</b>	(With cover) 2-9/16 x 3-7/16 x 1-7/8" (65 x 87 x 47 mm)
<b>Weight</b>	3.0 oz. (85 grams)
<b>Approvals</b>	SASO PCP Registration KSA R-103263
<b>Temperature Limits</b>	
Operating	40 to 120° F (4 to 49° C)
Shipping	-40° to 140° F (-40 to 60° C)

**NOTE:** For graphs and information on CTE-5100 mounting, wiring, calibration, and sample applications, see the **CTE-5100 Installation Guide** and the **CSP-5001/5002 Applications Guide**.

## Accessories

**Backplate kit** (allows thermostat to be mounted to 2x4 handy box, includes 2 #6-32 screws and decorative matching plate):

HMO-5024	Light almond w/ aluminum trim
HMO-5026	White w/ aluminum trim
HMO-5030	Light almond
HMO-5031	White

Thermostat **scale plates** (includes 2 each HPO-0046 scale plate pins):

HPO-0060-10	° F, horizontal
HPO-0060-11	° C, horizontal
HPO-0061-10	° F, vertical
HPO-0061-11	° C, vertical

Thermostat **covers, blank:**

HPO-1501	Light almond ABS
HPO-1502	White ABS
HPO-1503	Brushed aluminum

Thermostat **covers, full window:**

HPO-1511	Light almond ABS
HPO-1512	White ABS
HPO-1513	Brushed aluminum

**Miscellaneous accessories:**

HFO-0027	Setpoint stop strip, 4 "stops" per strip
HMO-5023	Mounting strap for mounting on hollow walls, includes 2 #6-32 x 2" screws and "template" printed on envelope
HPO-0044	Replacement thermostat cover screws
HPO-0046	Replacement scale plate pins
HPO-1320	Label strip, 3 labels per strip (for day/night, summer/winter or heating/cooling indication), 1 furnished with each cover
HSO-5001	Test leads for connecting CTE-510x to a voltmeter

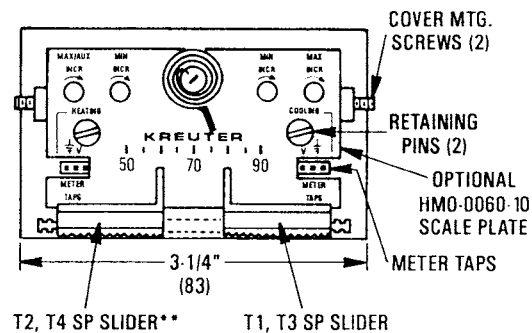
## Value Packages

The scale plate assembly and the cover are not included with the thermostat model base and must be ordered separately or as part of a (-10) value package containing the most frequently ordered accessories. Adding -10 to the thermostat model (e.g., CTE-5101-10) orders a "package." Packages contain one of each of the following models and accessories:

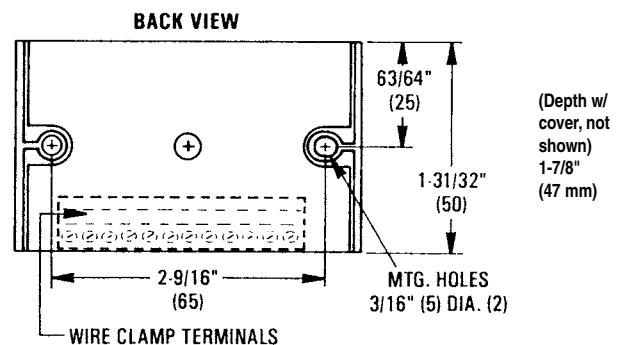
- ◆ CTE-5100 series thermostat base
- ◆ HPO-0060-10 horizontal scale plate, degrees F
- ◆ HPO-1511 light almond full window ABS thermostat cover
- ◆ HMO-5030 light almond backplate kit w/ matching decorative plate
- ◆ HPO-1320 label strip

## Dimensions and Details

All dimension are in inches (mm)



\* PHOTOGRAPH ON FRONT PAGE SHOWS ITEM WITH AN OPTIONAL COVER  
 \*\* MODEL CTE-5104 DOES NOT INCLUDE T4 OUTPUT



**KMC Controls, Inc.**

19476 Industrial Drive, New Paris, IN 46553

574.831.5250

www.kmcccontrols.com

info@kmcccontrols.com