



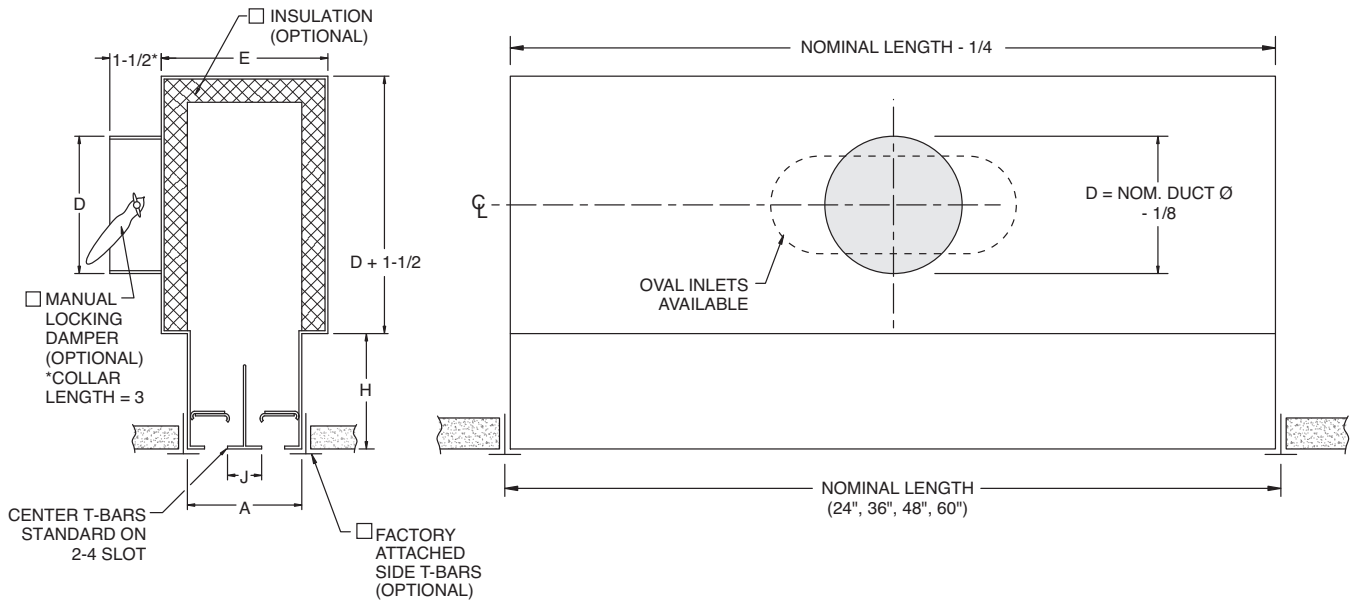
Anemostat® SUBMITTAL

1220 Watson Center Road • Carson, CA 90745-4206
 (310) 835-7500 • FAX (310) 835-0448
 airhelp@anemostat.com • www.anemostat.com

Model **API-FF**
T-BAR PLENUM SLOT DIFFUSER
 15/16" LAY-IN T-BAR
 1", 1-1/2" SLOT WIDTHS
 1 to 4 SLOTS

PLENUM SLOT DIFFUSERS

2 SLOT SHOWN



MODEL	SLOT WIDTH	H	J	INLET Φ	1-SLOT		2-SLOT		3-SLOT		4-SLOT	
	B				A	E	A	E	A	E	A	E
API-FF-100	1	3	1	4" - 16"	2	3-13/16	4	6-5/16	6	8-13/16	8	11-5/16
API-FF-150	1-1/2	4	1-1/2	4" - 16"	3	5-5/16	6	8-5/16	9	11-5/16	12	14-5/16

MODEL	APPLICATION	# OF SLOTS	SLOT WIDTH	NOM. LENGTH	NOM. DUCT SIZE
API	L	2	10	48	10
API-FF	Architectural Plug-In Diffuser	1 1 Slot	10 1"	24 24"	- N/A 09 9"
API-R	Ducted Return (no pattern controllers)	2 2 Slots	15 1-1/2"	36 36"	05 5" 10 10"
		3 3 Slots		48 48"	06 6" 12 12"
		4 4 Slots		60 60"	07 7" 14 14"
					08 8" 16 16"

All dimensions are in inches.

JOB NAME:

SUBMITTED BY: