



Anemostat® SUBMITTAL

1220 Watson Center Road • Carson, CA 90745-4206
(310) 835-7500 • FAX (310) 835-0448
air@anemostat.com • www.anemostat.com

Model **AIRLINE** ALUMINUM LINEAR BAR GRILLE STACK MITER OUTSIDE CORNER (90°) FOR #6, #7, 8, & #9 BORDER

GRILLES & REGISTERS

PRODUCT FEATURES

- Heavy gauge, extruded aluminum construction
- Available in any frame / core combination

CONSTRUCTION DETAILS

Material: All Aluminum Construction

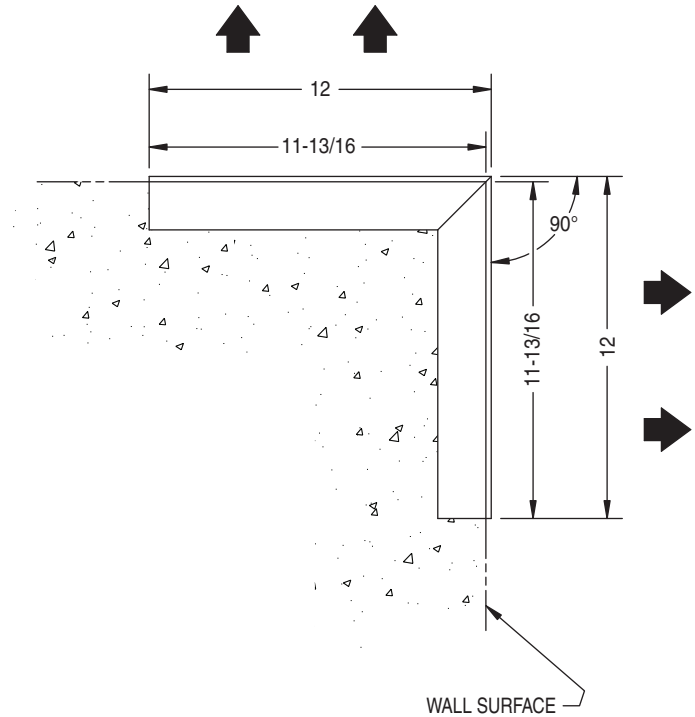
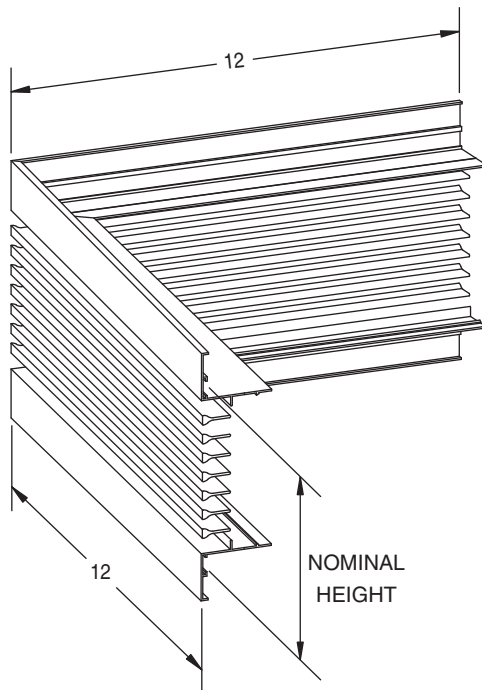
Finish:

- Arctic White
- Mill Finish
- Natural Anodize
- Anemostat Color # _____
- Custom Color Match _____

Models

- AL1** - 1/4" Bars on 1/2" Ctrs. - 0°
- AL15** - 1/4" Bars on 1/2" Ctrs. - 15°
- AL45** - 3/16" Bars on 1/2" Ctrs. - 45°
- TL1N** - 1/8" Bars on 1/4" Ctrs. - 0°
- TL1W** - 1/8" Bars on 1/2" Ctrs. - 0°
- TL15N** - 1/8" Bars on 1/4" Ctrs. - 15°
- TL15W** - 1/8" Bars on 1/2" Ctrs. - 15°
- AL-S** - Shallow / Short Stack

- NOTES:**
- AL1 with #6 border shown
 - 90° shown; other angles available
 - See Airline borders & frames submittal sheet for detailed dimensions
 - Arrows indicate air flow direction on plan view sectional drawing



All dimensions are in inches.

JOB NAME:

SUBMITTED BY: