

# SUBMITTAL SHEET

www.anemostat-hvac.com

**ROUND DUCT DIAMETERS  
05 THRU 16**
**PRODUCT FEATURES**

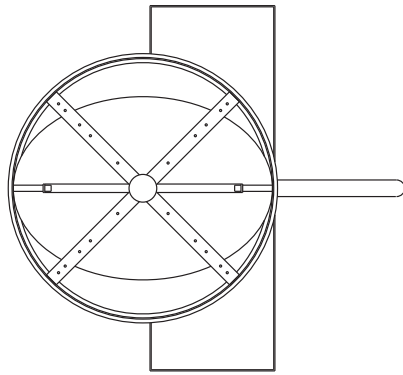
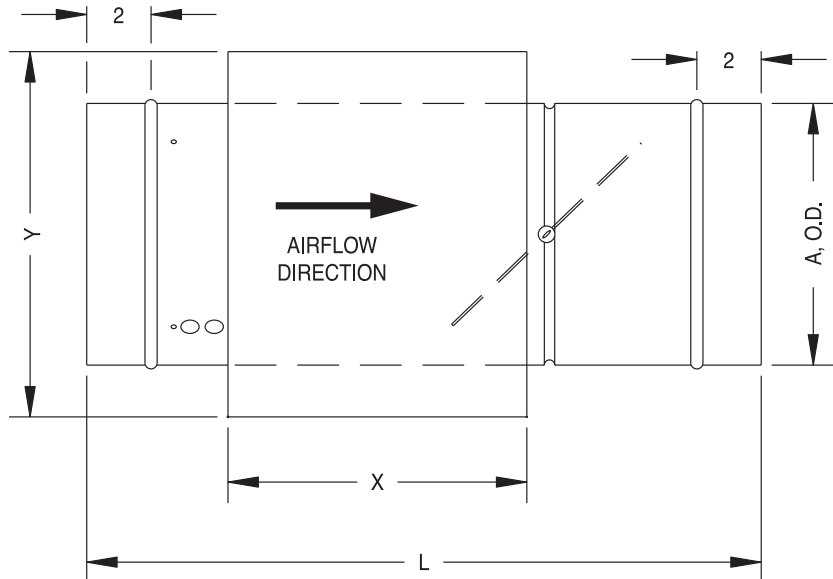
- Round inlet sizes from 5" to 16" diameter. Rectangular 24" x 16" available.
- Velocity wing sensor with 20 sensing points for accurate airflow sensing. Made of fire retardant ABS plastic.

**CONSTRUCTION DETAILS**
**Material:**

- 20 Gauge Galvanized Steel
- 304 Stainless Steel
- 316 Stainless Steel
- Aluminum

**OPTIONS**
**Control Enclosure:**

- Standard (C3)
- Large (C4)


**INLET VIEW**


SIZE	A, Ø	X	Y	L
5	4-7/8	9	10-7/8	20-5/16
6	5-7/8	9	10-7/8	20-5/16
7	6-7/8	9	10-7/8	20-5/16
8	7-7/8	9	10-7/8	20-5/16
9	8-7/8	9	12-1/8	20-5/16
10	9-7/8	9	12-1/8	20-5/16
12	11-7/8	10	12-1/16	23-57/64
14	13-7/8	10	14-1/16	23-57/64
16	15-7/8	10	16-1/16	23-57/64

All dimensions are in inches.

**JOB NAME:**
**SUBMITTED BY:**

# SUBMITTAL SHEET

www.anemostat-hvac.com

SIZE 24 X 16

### PRODUCT FEATURES

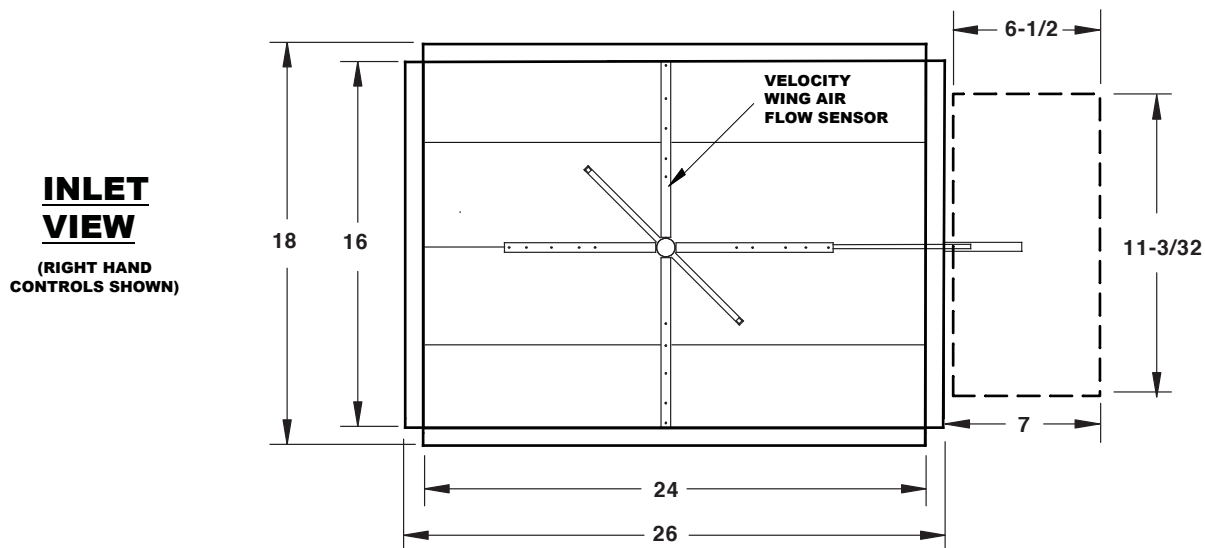
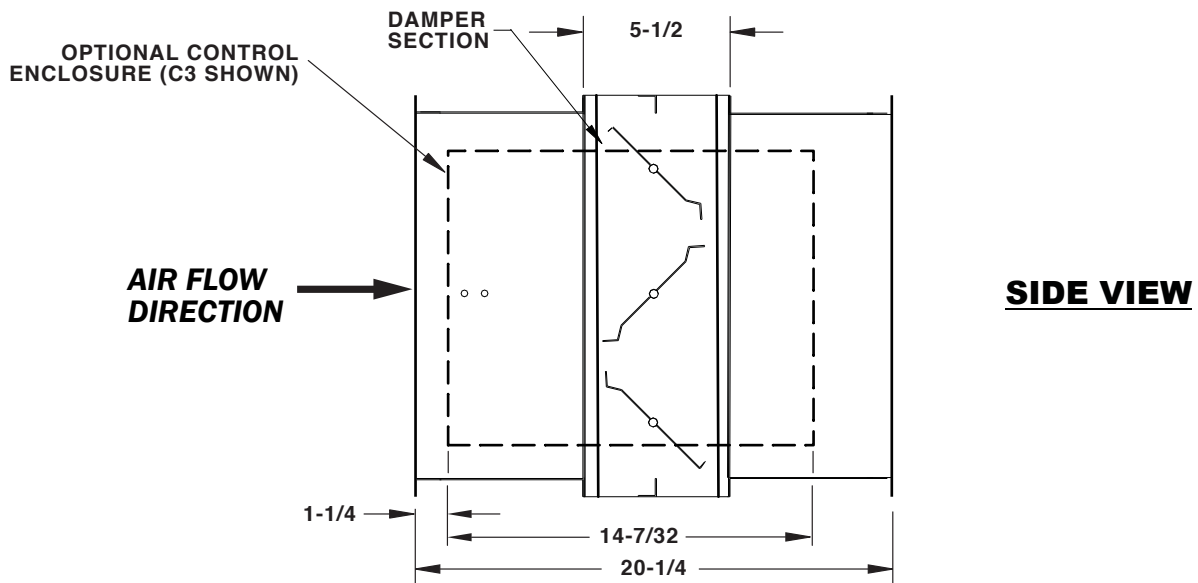
- Rectangular inlet / discharge duct connections
- 1" Turned flange connections are standard. Ductmate flange system available.
- Multi-blade, opposed blade operation
- 1/2" diameter solid damper drive shaft, scribed end for determining damper position
- Velocity Wing air flow sensor is standard - other sensors available for unique applications

### CONSTRUCTION DETAILS

- Material:
- 20 ga Galvanized Steel
  - 304 Stainless Steel
  - 316 Stainless Steel
  - Aluminum

### OPTIONS

- Control Enclosures:
- Standard Size (C3)
  - Large Size (C4)
- Air Flow Sensors
- Velocity Wing (Std)
  - Linear Traverse
  - Linear Traverse with Orifice Plate



All dimensions are in inches.

JOB NAME:

SUBMITTED BY: