



Anemostat® SUBMITTAL

1220 Watson Center Road • Carson, CA 90745-4206
 (310) 835-7500 • FAX (310) 835-0448
 airhelp@anemostat.com • www.anemostat.com

Model **ADLP-O** LINEAR DIFFUSER PLENUM OFFSET TYPE - LO PROFILE

2", 2-1/2", 3" SLOT WIDTH

**OVAL
 INLET**

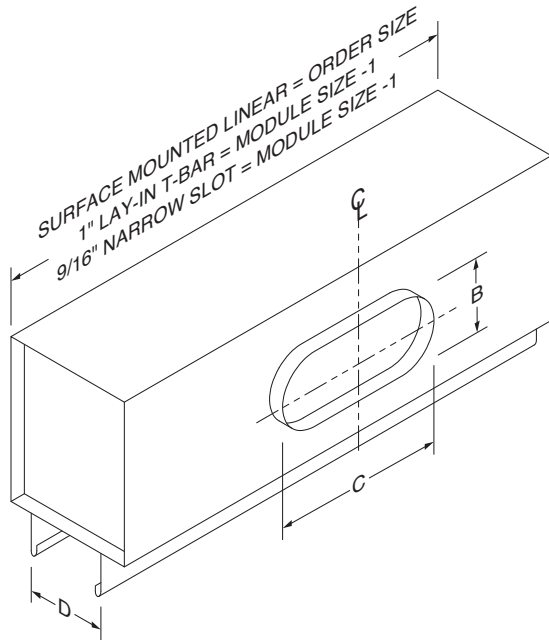
LINEAR DIFFUSERS

PRODUCT FEATURES

- 9" fixed height for limited ceiling space
- Supply or return air plenum
- Zinc-coated steel construction

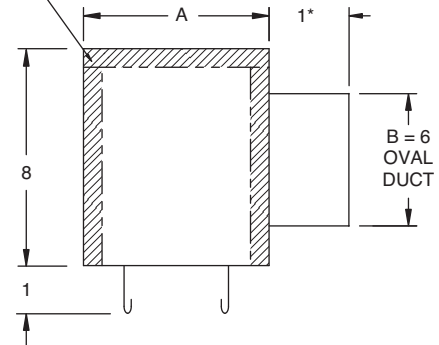
- Use with the following **diffuser** models:
 FF/PJ-S, -BF, -X, -L, -L9

- Use with the following **return** models:
 FFR-S, -BF, -X, -L, -L9



OPTIONAL INSULATION

- 1/2" FIBERGLASS
- 3/8" CLOSED CELL FOAM
- 1/2" FOIL FACED



MODEL AD • DIMENSIONAL DATA							
# SLOTS	AD-O-20		AD-O-25		AD-O-30		# SLOTS
	2" SLOTS		2-1/2" SLOTS		3" SLOTS		
	A	D	A	D	A	D	
1	6	4-5/16	7	5-5/16	8	6-5/16	1
2	10	8-5/16	12	10-5/16	14	12-5/16	2
3	14	12-5/16	17	15-5/16	20	18-5/16	3
4	18	16-5/16	22	20-5/16	26	24-5/16	4

OVAL DIMENSIONS				
DUCT SIZE	B	C	AREA, FT ²	% ROUND
7" OVAL	6	7-3/8	0.25	98
8" OVAL	6	8-15/16	0.32	94
9" OVAL	6	10-1/2	0.38	89
10" OVAL	6	12-3/32	0.45	85
12" OVAL	6	15-7/32	0.58	75

% Round is ratio of oval area to round duct area

NOTES:

1. See submittal sheet for Free Flo / Pro Jet "CM" Frames

All dimensions are in inches.

JOB NAME:

SUBMITTED BY: