



Anemostat® SUBMITTAL

1220 Watson Center Road • Carson, CA 90745-4206
(310) 835-7500 • FAX (310) 835-0448
airhelp@anemostat.com • www.anemostat.com

Model **ADLP-O**

LINEAR DIFFUSER PLENUM OFFSET TYPE - LO PROFILE

1/2", 3/4", 1", 1-1/2"
SLOT WIDTH

OV
AL
IN
LET

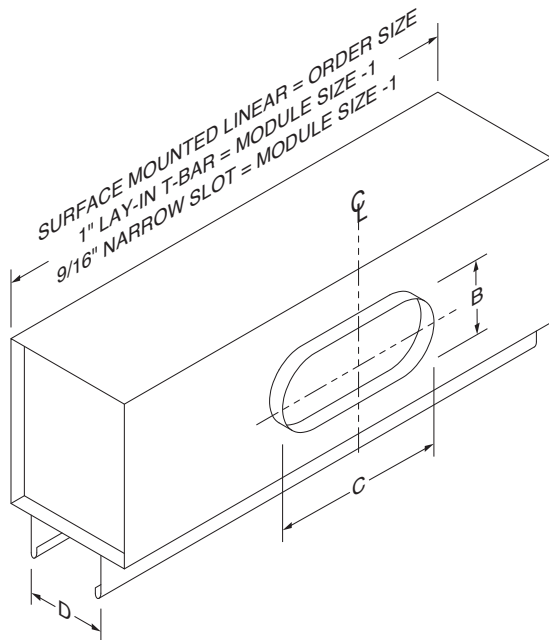
LINEAR DIFFUSERS

PRODUCT FEATURES

- 9" fixed height for limited ceiling space
- Supply or return air plenum
- Zinc-coated steel construction

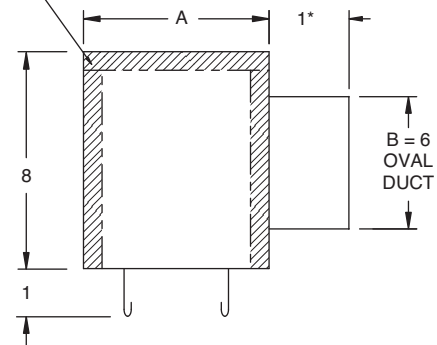
- Use with the following **diffuser** models:
SLAD-FS, -PS, -W, -D, -T, -T9
FF/PJ-S, -BF, -X, -L, -L9
TAZR6-S-L, -D, -L9, -T, -T9 (see note 1)
TAZR4-S-L, -D, -L9, -T, -T9

- Use with the following **return** models:
SLAR-FS, -PS, -W, -D, -T, -T9
FFR-S, -BF, -X, -L, -L9
TAZR6-R-L, -D, -L9, -T, -T9 (see note 1)
TAZR4-R-L, -D, -L9, -T, -T9



OPTIONAL
INSULATION

- 1/2" FIBERGLASS
- 3/8" CLOSED CELL FOAM
- 1/2" FOIL FACED



MODEL AD • DIMENSIONAL DATA									
# SLOTS	AD-O-50		AD-O-75		AD-O-10		AD-O-15		# SLOTS
	1/2" SLOTS		3/4" SLOTS		1" SLOTS		1-1/2" SLOTS		
	A	D	A	D	A	D	A	D	
1	5	1-9/16	5	1-13/16	6	2-5/16	5	3-5/16	1
2	5	2-13/16	5	3-5/16	6	4-5/16	8	6-5/16	2
3	6	4-1/16	8	4-13/16	8	6-5/16	11	9-5/16	3
4	8	5-5/16	8	6-5/16	10	8-5/16	14	12-5/16	4
5	8	6-9/16	9	7-13/16	12	10-5/16	17	15-5/16	5
6	10	7-13/16	11	9-5/16	14	12-5/16	20	18-5/16	6
7	10	9-1/16	12	10-13/16	16	14-5/16	23	21-5/16	7
8	12	10-5/16	14	12-5/16	18	16-5/16	26	24-5/16	8

OVAL DIMENSIONS				
DUCT SIZE	B	C	AREA, FT ²	% ROUND
7" OVAL	6	7-3/8	0.25	98
8" OVAL	6	8-15/16	0.32	94
9" OVAL	6	10-1/2	0.38	89
10" OVAL	6	12-3/32	0.45	85
12" OVAL	6	15-7/32	0.58	75

% Round is ratio of oval area to round duct area

NOTES:

1. TAZR6-S-L / TAZR6-R-L, 4 Slot - 3/4" Slot Widths see submittal sheet AD-S-0001
2. See submittal sheet for Free Flo / Pro Jet "CM" Frames

All dimensions are in inches.

JOB NAME:

SUBMITTED BY: