



Anemostat® SUBMITTAL

1220 Watson Center Road • Carson, CA 90745-4206
 (310) 835-7500 • FAX (310) 835-0448
 airhelp@anemostat.com • www.anemostat.com

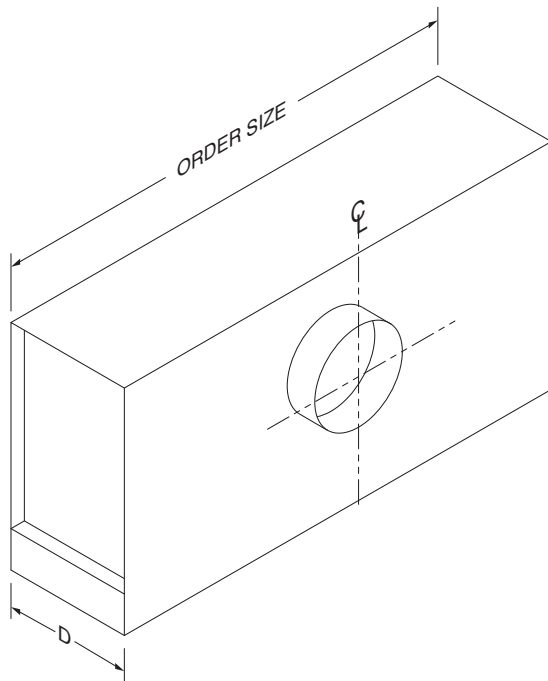
Model **AD-S** LINEAR DIFFUSER PLENUM STRAIGHT SIDE TYPE

1", 1-1/2", 2", 2-1/2", 3" SLOT WIDTH

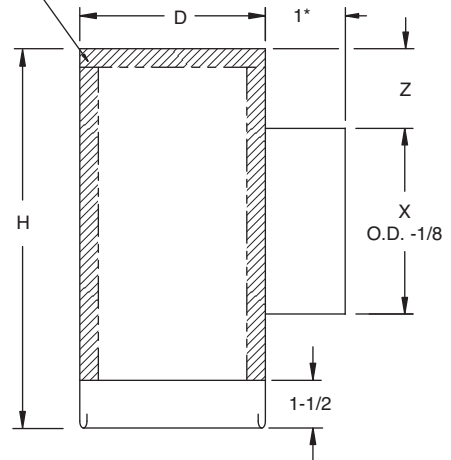
LINEAR DIFFUSERS

PRODUCT FEATURES

- Supply or return air plenum
- Zinc-coated steel construction
- Use with the following diffuser models: FF/PJ-CM
- Use with the following return models: FFR-CM



- OPTIONAL INSULATION
 (END CAPS NOT INSULATED)
- 1/2" FIBERGLASS
 - 3/8" CLOSED CELL FOAM
 - 1/2" FOIL FACED



MODEL AD-S • DIMENSIONAL DATA						
	AD-S-100	AD-S-150	AD-S-200	AD-S-250	AD-S-300	
# SLOTS	1" SLOTS	1-1/2" SLOTS	2" SLOTS	2-1/2" SLOTS	3" SLOTS	# SLOTS
	D	D	D	D	D	
1	2-5/16	3-5/16	4-5/16	5-5/16	6-5/16	1
2	4-5/16	6-5/16	8-5/16	10-5/16	12-5/16	2
3	6-5/16	9-5/16	12-5/16	15-5/16	18-5/16	3
4	8-5/16	12-5/16	16-5/16	20-5/16	24-5/16	4

Nom Inlet Φ	H	Z
X		
4	9-3/8	2
5	9-3/8	1-1/2
6	9-3/8	1
7	10-3/8	1
8	11-3/8	1
9	12-3/8	1
10	13-3/8	1
12	15-3/8	1
14	17-3/8	1
16	19-3/8	1

All dimensions are in inches.

JOB NAME:

SUBMITTED BY: