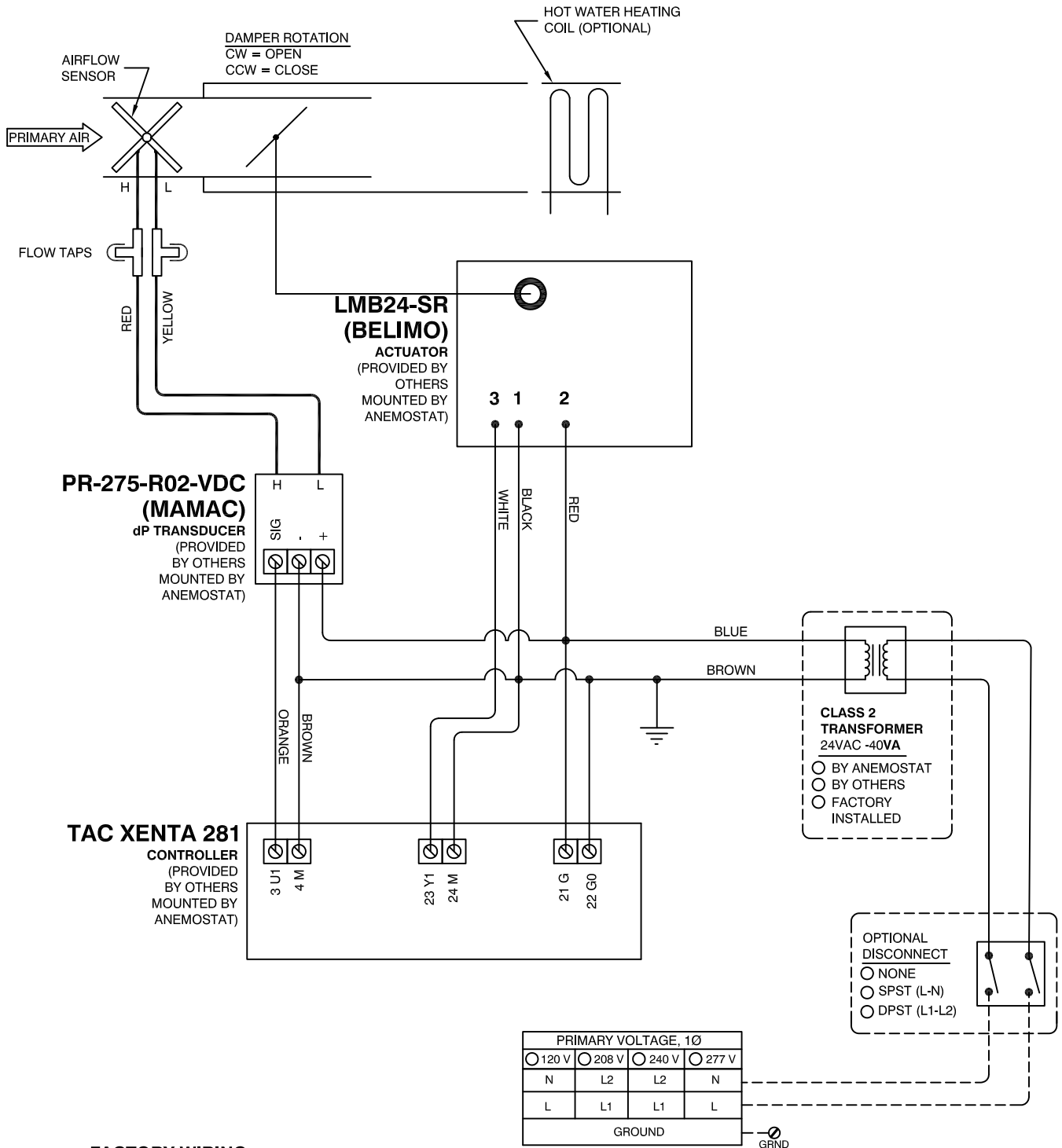


ANEMOSTAT[®]

AIR TERMINAL CONTROLS

Control Package SD-D-SN23

- SINGLE DUCT
- DIRECT DIGITAL CONTROLS BY OTHERS
- DDC SUPPLIED TO FACTORY FOR INSTALLATION



———— FACTORY WIRING
 - - - - - FIELD WIRING
 ===== FACTORY PIPING
 - - - - - FIELD PIPING

CONSULT CONTROLS DOCUMENTATION FOR DETAILS AS INSTALLED HARDWARE WILL VARY FROM THAT SHOWN HERE.

JOB NAME:
SUBMITTED BY:
DATE:

DWG #: SD-D-SN23
REV: A
DATE: 6-28-17