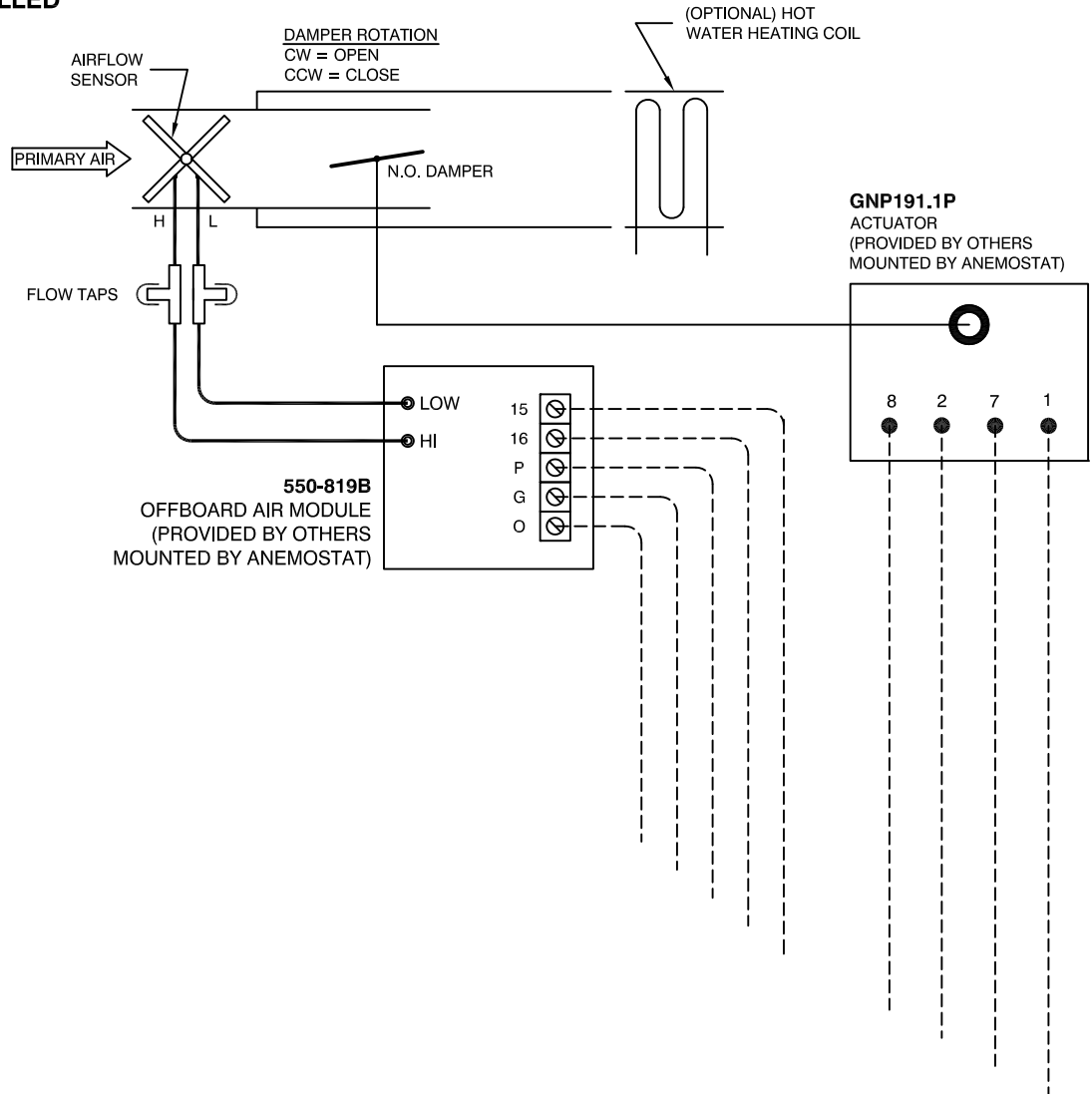


ANEMOSTAT[®]

AIR TERMINAL CONTROLS

Control Package SD-D-S192

- SINGLE DUCT
- OPTIONAL HOT WATER HEAT
- OAM AND ACTUATOR PROVIDED BY OTHERS
- FACTORY INSTALLED



————— FACTORY PIPING
- - - - - FIELD PIPING

————— FACTORY WIRING
- - - - - FIELD WIRING

CONSULT CONTROLS DOCUMENTATION FOR
DETAILS AS INSTALLED HARDWARE WILL VARY
FROM THAT SHOWN HERE.

JOB NAME:
SUBMITTED BY:
DATE:

DWG #: SD-D-S192
REV: -
DATE: 8-8-2017