

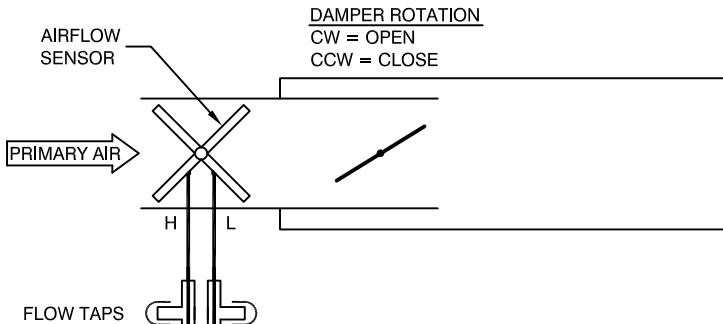
ANEMOSTAT[®]

AIR TERMINAL CONTROLS

Control Package

SD - D - 7000D

- SINGLE DUCT
- BACNET DIGITAL CONTROLS
- VAV COOLING ONLY
- PRESSURE INDEPENDENT
- MINI SENSOR ABC-6011
- SPACE TEMPERATURE PRESET AT 72 DEGREE FAHRENHEIT

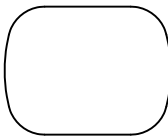


SEE MANUAL CM-1 FOR SPECIFIC TUBING SIZE AND LENGTH

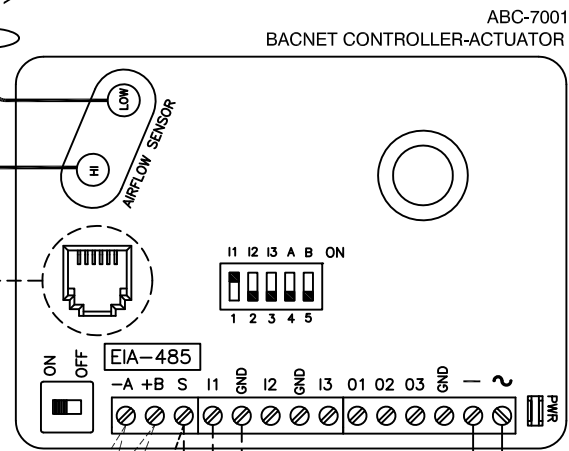
NOTE: SPACE TEMPERATURE SETPOINT (AV2) IS PRESET AT 72°F ON ABC-7001 CONTROLLER AND IS NOT ADJUSTABLE ON ABC-6011 SENSOR.

SPACE TEMPERATURE SETPOINT IS ADJUSTABLE ON ABC-1161 NETSENSOR (OPTIONAL) BY CONNECTING IT TO ABC-7001 CONTROLLER WITH A 6-CONDUCTORS PLENUM RATED CABLE (RJ-12 BOTH ENDS, 75 FEET MAX).

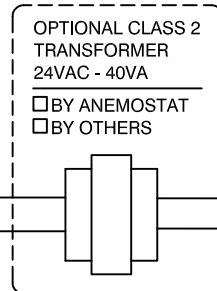
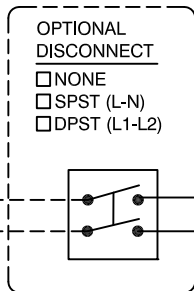
ABC-6011
MINI TEMPERATURE SENSOR
BLANK COVER



REFER TO INSTALLATION MANUAL FOR PROPER NETWORK WIRING AND GROUNDING



PRIMARY VOLTAGE, 1Ø			
<input type="radio"/> 120 V	<input type="radio"/> 208 V	<input type="radio"/> 240 V	<input type="radio"/> 277 V
N	L2	L2	N
L	L1	L1	L
GROUND			



————— FACTORY WIRING
 - - - - - FIELD WIRING
 ———— FACTORY PIPING

REFER TO ANEMOSTAT "CONTROLS MANUAL" (CM-1) FOR ADJUSTMENT & TROUBLESHOOTING PROCEDURES.

JOB NAME:
 SUBMITTED BY:
 DATE:

DWG #: SD-D-7000D.1
 REV: D
 DATE: 1-2-14