

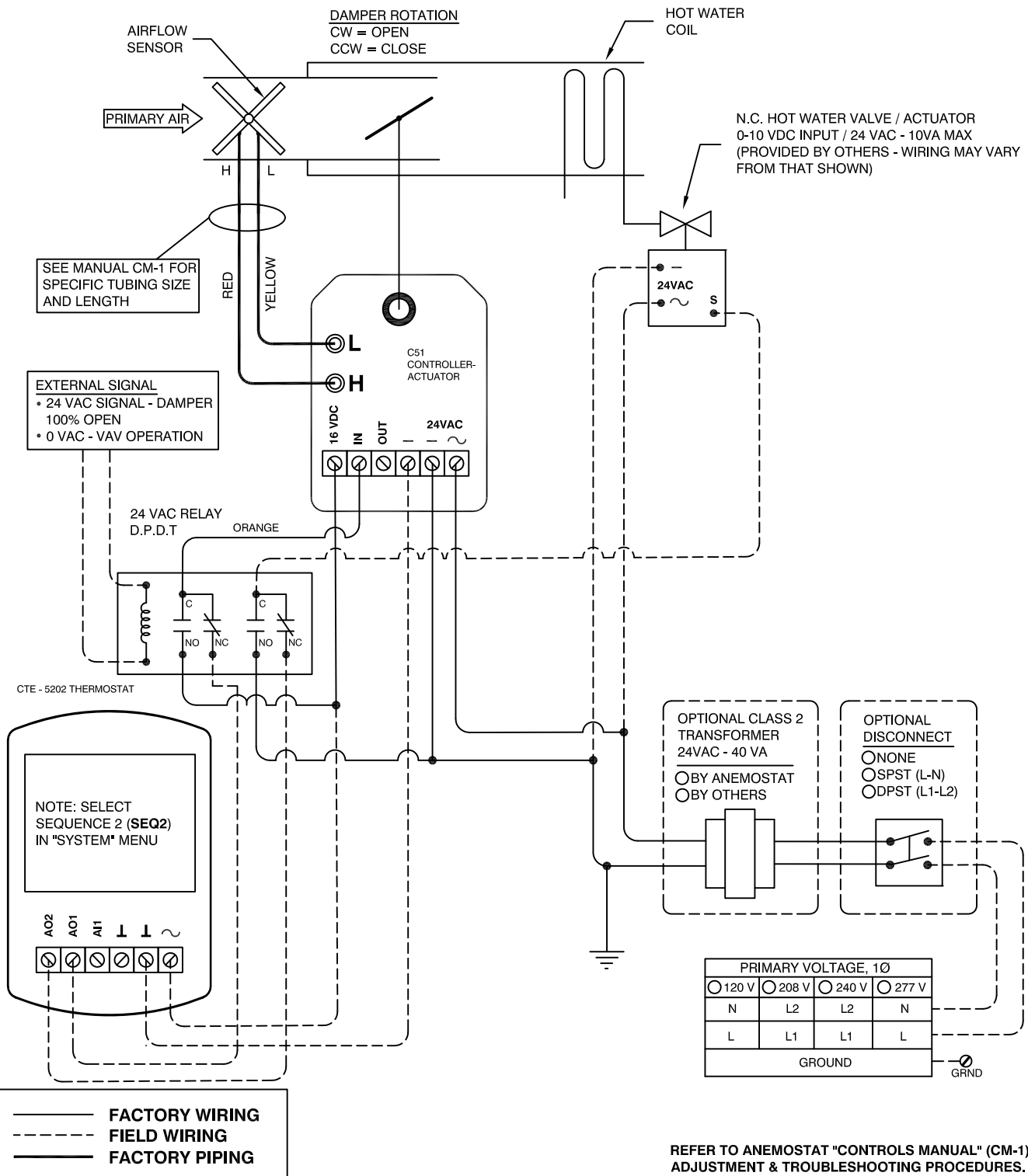
ANEMOSTAT[®]

AIR TERMINAL CONTROLS

Control Package SD - A - 5223

- SINGLE DUCT
- ANALOG ELECTRONIC CONTROLS
- VAV COOLING & HOT WATER HEAT (MODULATING 0-10VDC)
- EARLY MORNING WARM-UP (COIL LOCK OUT)

- PRESSURE INDEPENDENT
- AIR FLOW SETPOINTS ADJUSTED AT THERMOSTAT



JOB NAME:
SUBMITTED BY:
DATE:

DWG #: SD-A-5223.1
REV: -
DATE: 3-3-2017