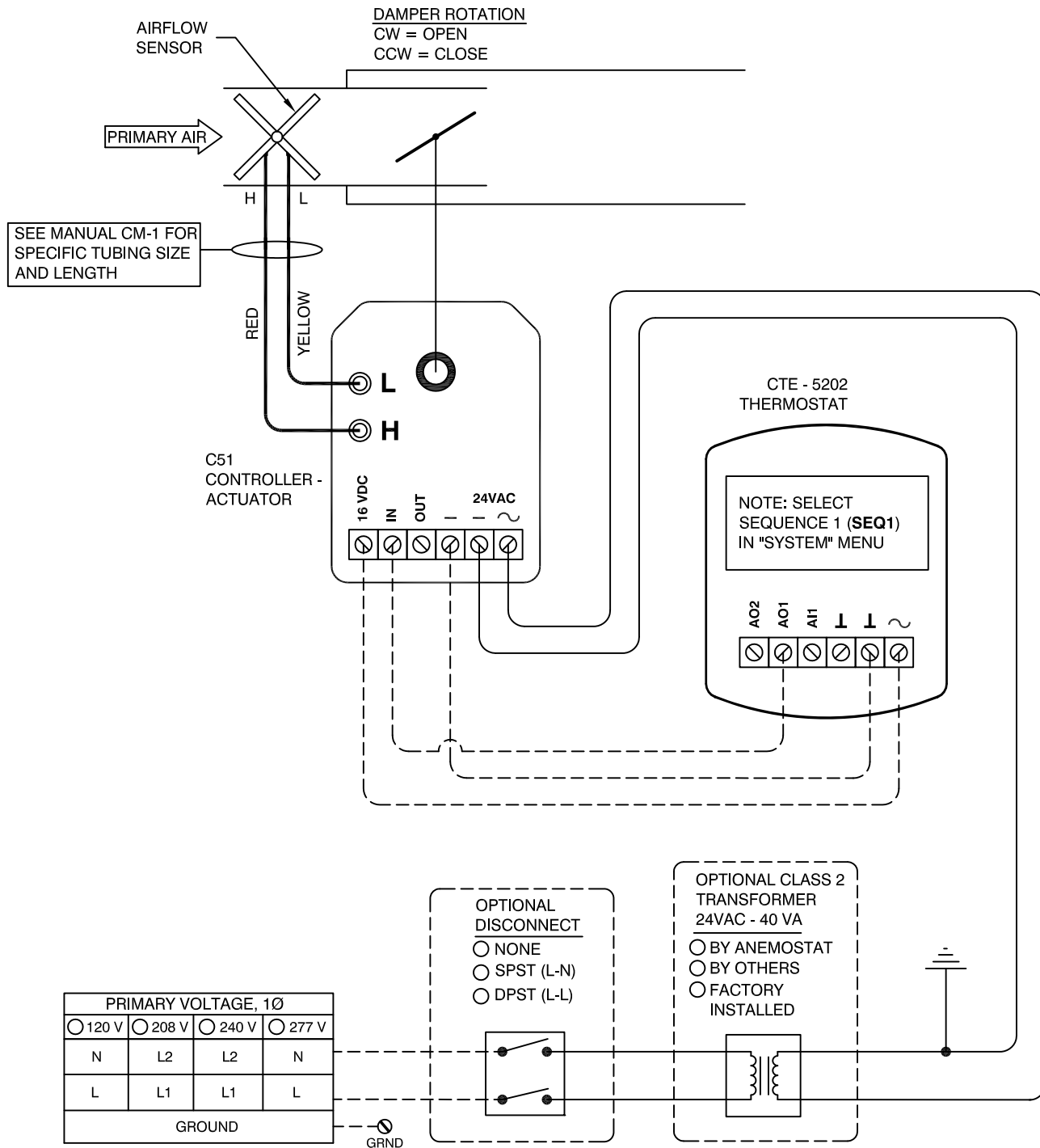


ANEMOSTAT[®]

AIR TERMINAL CONTROLS

Control Package
SD - A - 5200

- SINGLE DUCT
- VAV COOLING ONLY
- PRESSURE INDEPENDENT
- ANALOG ELECTRONIC CONTROLS
- AIR FLOW SETPOINTS ADJUSTED ON THERMOSTAT

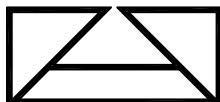


————— FACTORY WIRING
- - - - - FIELD WIRING
————— FACTORY PIPING

REFER TO ANEMOSTAT "CONTROLS MANUAL" (CM-1) FOR ADJUSTMENT & TROUBLESHOOTING PROCEDURES.

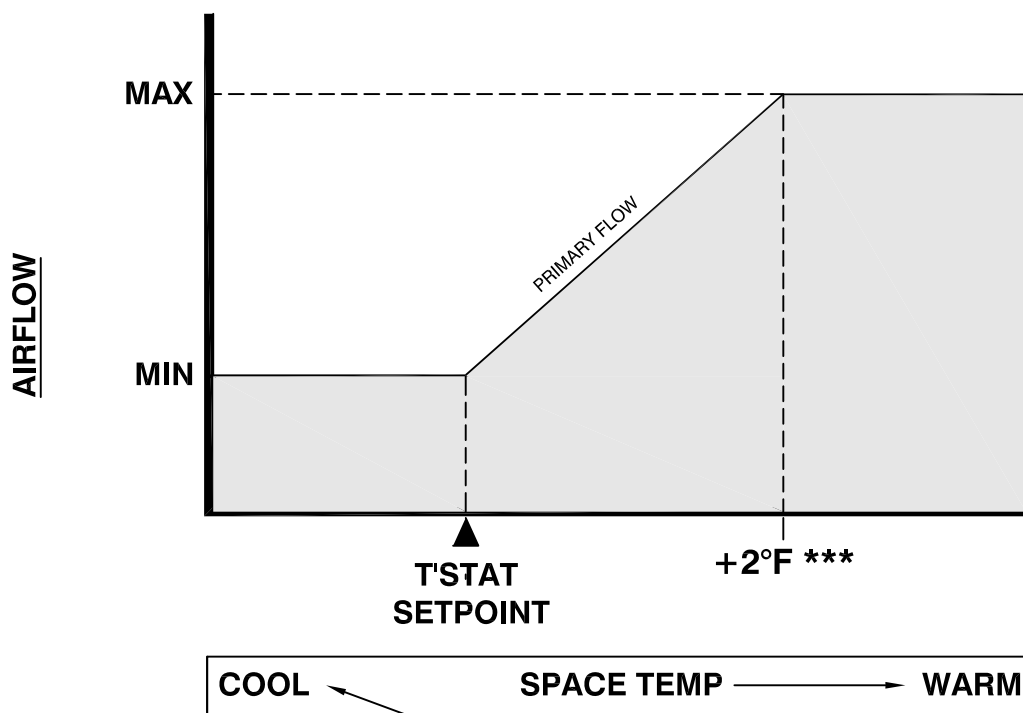
JOB NAME:
SUBMITTED BY:
DATE:

DWG #: SD-A-5200.1
REV: B
DATE: 3-2-2017



- SINGLE DUCT
- ANALOG ELECTRONIC CONTROLS
- VAV COOLING ONLY
- PRESSURE INDEPENDENT
- AIR FLOW SETPOINTS ADJUSTED ON THERMOSTAT

Flow - Control Diagram



*** PROPORTIONAL BAND (**PROP BD**) DEFAULT AT 2°F, ADJUSTABLE FROM 1 to 10°F IN "ADVANCE" MENU ON THERMOSTAT

SEQUENCE OF OPERATION

1. THE THERMOSTAT SIGNALS THE CONTROLLER IN RESPONSE TO THE SPACE TEMPERATURE.
2. WITH SPACE TEMPERATURE BELOW THE THERMOSTAT SETPOINT, THE DAMPER MAINTAINS MINIMUM AIRFLOW.
3. AS THE SPACE TEMPERATURE INCREASES FROM SETPOINT TO +2°F ABOVE SETPOINT, THE DAMPER OPENS FROM MINIMUM AIRFLOW TO MAXIMUM AIRFLOW.
4. ABOVE (SETPOINT +2°F), THE DAMPER MAINTAINS MAXIMUM FLOW.
5. ADJUST THE MINIMUM (**AO1 MIN**) OR MAXIMUM (**AO1 MAX**) AIRFLOW SETPOINT IN "LIMITS" MENU ON THERMOSTAT.
6. UPON LOSS OF POWER, DAMPER FAILS IN PLACE.

JOB NAME:
SUBMITTED BY:
DATE:

DWG #: SD-A-5200.2
REV: -
DATE: 4-18-13