

ANEMOSTAT[®]

AIR TERMINAL CONTROLS

- SERIES FAN AIR TERMINAL W/ SIMPLYVAV DDC CONTROLS
- COOLING WITH MODULATING HOT WATER REHEAT
- VAV - PRESSURE INDEPENDENT

Control Package

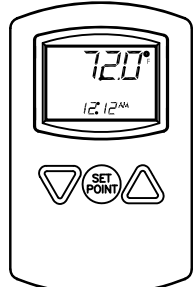
FS - D - 8001A

- FACTORY WIRING
- - - - - FIELD WIRING
- FACTORY PIPING

PRIMARY VOLTAGE, 1Ø			
<input type="radio"/> 120 V	<input type="radio"/> 208 V	<input type="radio"/> 240 V	<input type="radio"/> 277 V
N	L2	L2	N
L	L1	L1	L
GROUND			

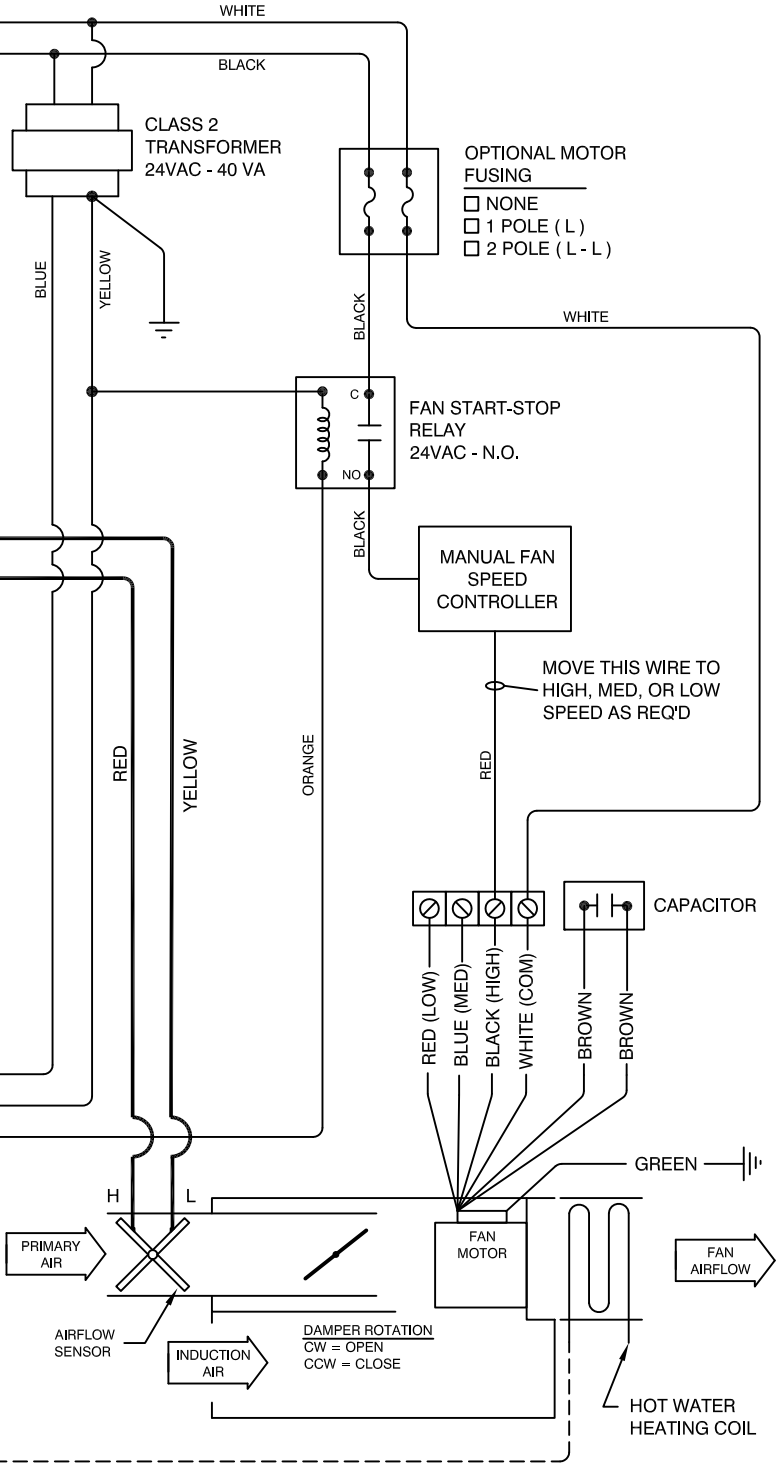
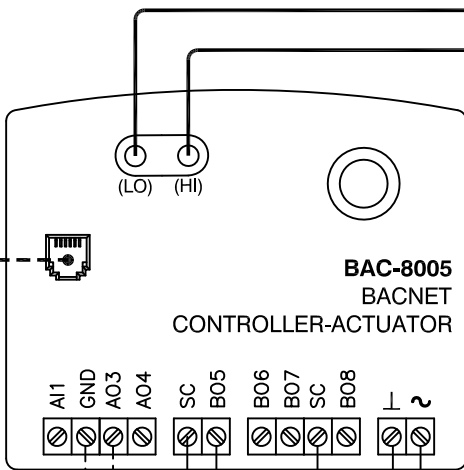
- OPTIONAL DISCONNECT
- NONE
 - SPST (L-N)
 - DPST (L1-L2)

- OPTIONAL MOTOR FUSING
- NONE
 - 1 POLE (L)
 - 2 POLE (L-L)



STE-8001
NETSENSOR

CAT5e Ethernet Cable
(w/ RJ45 Connector)



N.C. HOT WATER VALVE / ACTUATOR
0-10 VDC INPUT / 24 VAC - 10VA MAX
(PROVIDED BY OTHERS
- WIRING MAY VARY AS SHOWN)

JOB NAME:
SUBMITTED BY:
DATE:

DWG #: FS-D-8001A
REV: A
DATE: 10-4-16