

# ANEMOSTAT<sup>®</sup>

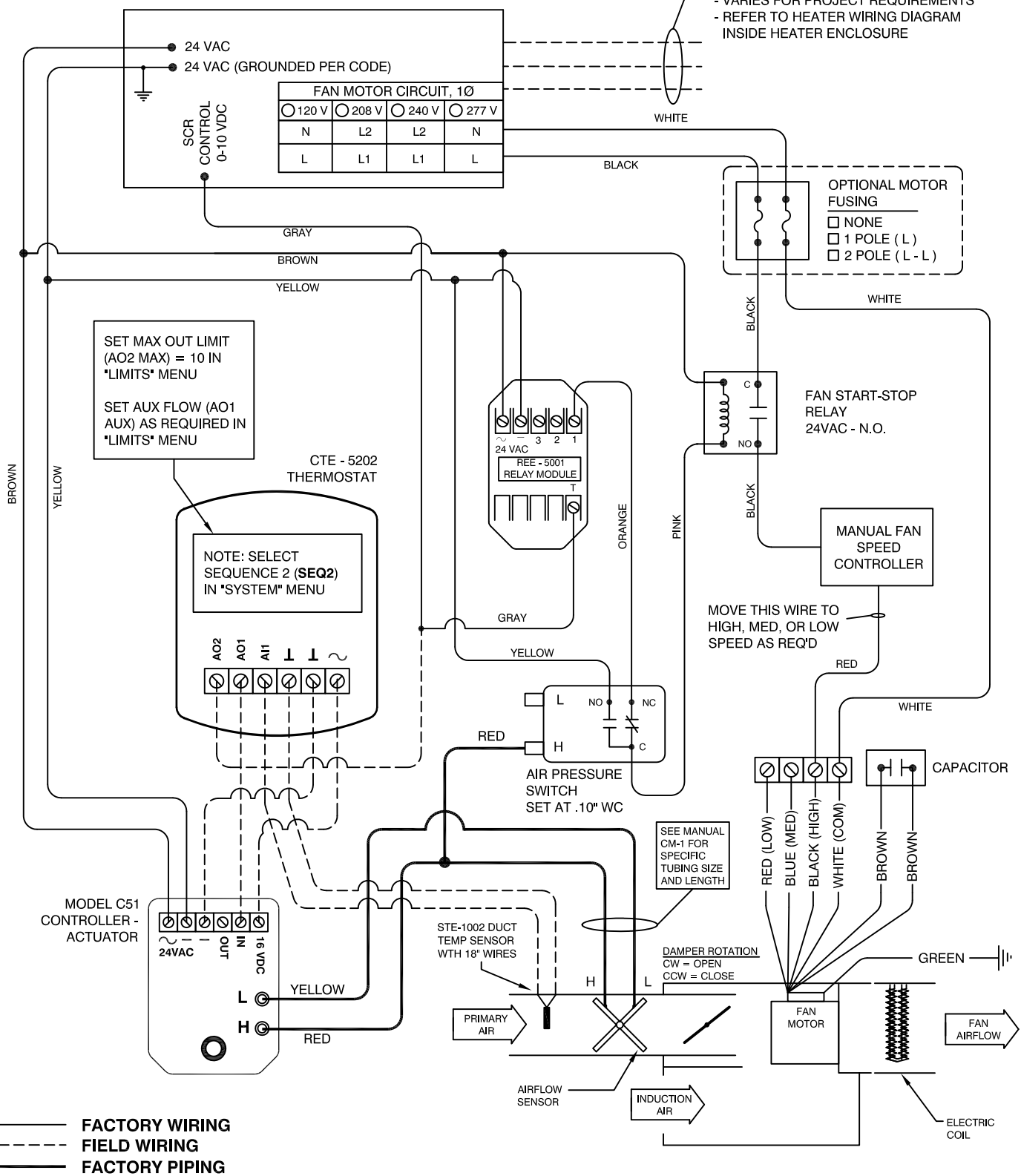
## AIR TERMINAL CONTROLS

# Control Package

## FS - A - 5264

- SERIES FAN AIR TERMINAL
- ELECTRIC HEAT - SCR CONTROL
- AUTOMATIC CHANGEOVER
- ANALOG ELECTRONIC CONTROLS
- NIGHT CYCLING FEATURE
- HEATER AIR FLOW SWITCH

HEATER POWER SUPPLY  
- VARIES FOR PROJECT REQUIREMENTS  
- REFER TO HEATER WIRING DIAGRAM  
INSIDE HEATER ENCLOSURE



**JOB NAME:**  
**SUBMITTED BY:**  
**DATE:**

**DWG #: FS-A-5264.1**  
**REV: -**  
**DATE: 11-19-15**