

ANEMOSTAT[®]

AIR TERMINAL CONTROLS

Control Package

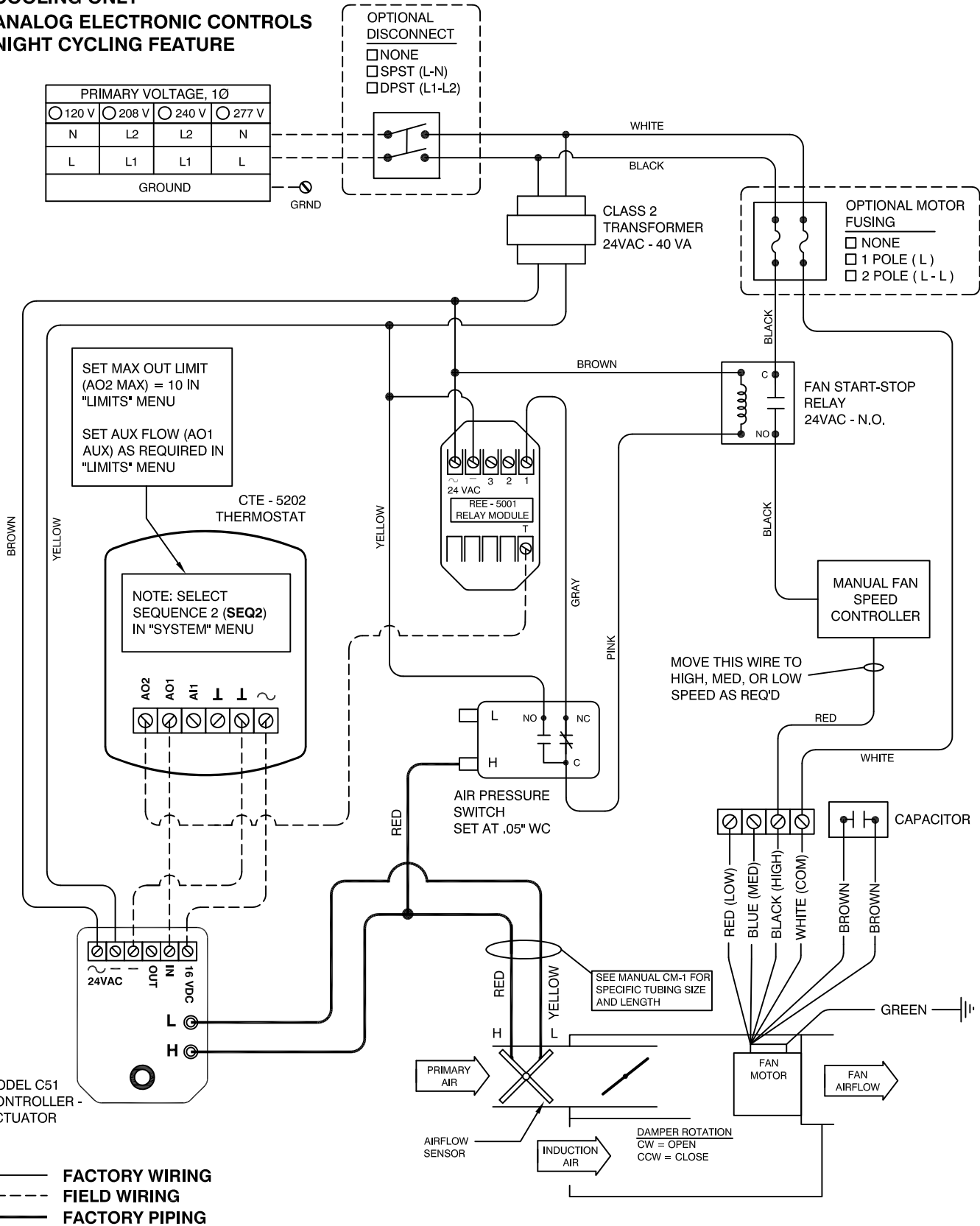
FS - A - 5220

- SERIES FAN AIR TERMINAL
- COOLING ONLY
- ANALOG ELECTRONIC CONTROLS
- NIGHT CYCLING FEATURE

PRIMARY VOLTAGE, 1Ø			
<input type="radio"/> 120 V	<input type="radio"/> 208 V	<input type="radio"/> 240 V	<input type="radio"/> 277 V
N	L2	L2	N
L	L1	L1	L
GROUND			

- OPTIONAL DISCONNECT
- NONE
 - SPST (L-N)
 - DPST (L1-L2)

- OPTIONAL MOTOR FUSING
- NONE
 - 1 POLE (L)
 - 2 POLE (L-L)



_____ FACTORY WIRING
 - - - - - FIELD WIRING
 _____ FACTORY PIPING

JOB NAME:
SUBMITTED BY:
DATE:

DWG #: FS-A-5220.1
REV: -
DATE: 8-25-16