

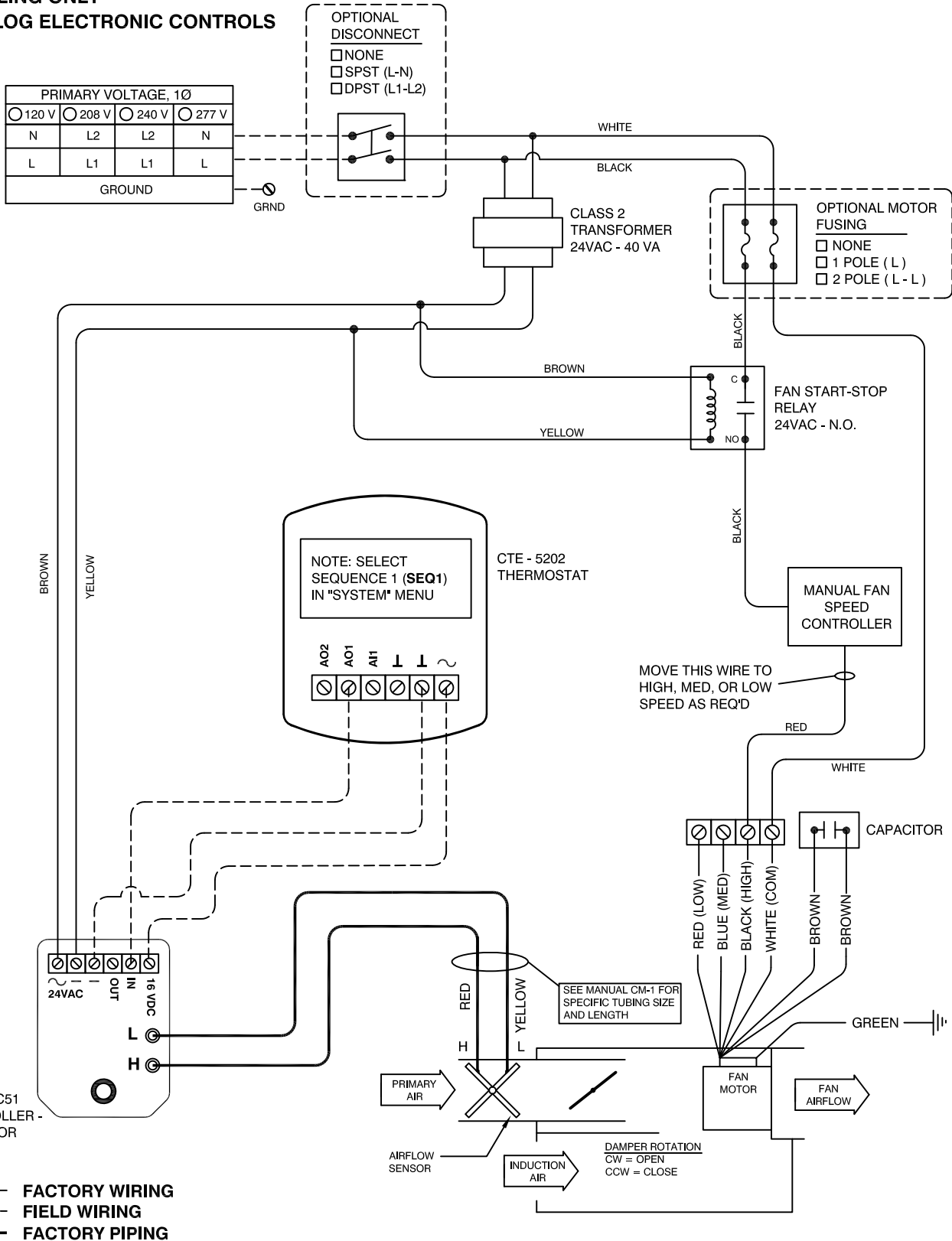
# ANEMOSTAT<sup>®</sup>

## AIR TERMINAL CONTROLS

### Control Package

# FS - A - 5200

- SERIES FAN AIR TERMINAL
- COOLING ONLY
- ANALOG ELECTRONIC CONTROLS



**JOB NAME:**  
**SUBMITTED BY:**  
**DATE:**

**DWG #:** FS-A-5200  
**REV:** -  
**DATE:** 6-5-2017