

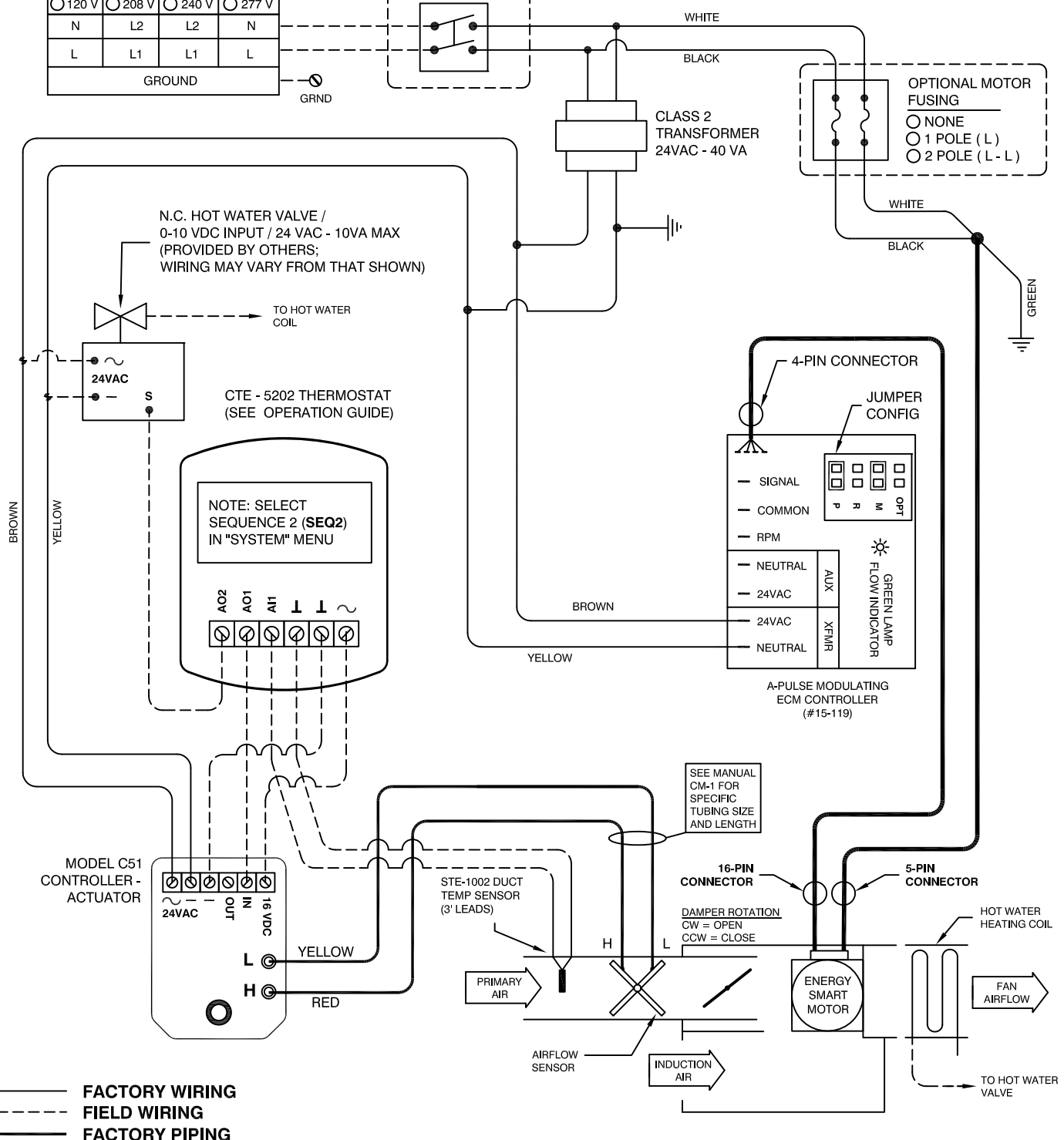
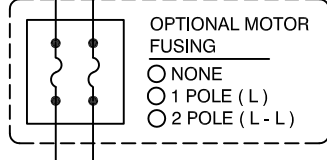
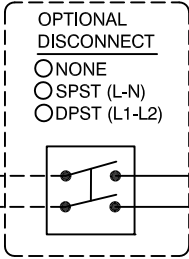
ANEMOSTAT[®]

SERIES FAN AIR TERMINAL

Control Package
ES - A - 5263

- ELECTRONIC ANALOG CONTROLS
- AUTOHTG-CLG CHANGEOVER / MORNING WARMUP
- EC FAN MOTOR
- MODULATING H.W. HEAT
- MANUAL FAN FLOW ADJUST

PRIMARY VOLTAGE, 1Ø			
<input type="radio"/> 120 V	<input type="radio"/> 208 V	<input type="radio"/> 240 V	<input type="radio"/> 277 V
N	L2	L2	N
L	L1	L1	L
GROUND			



————— FACTORY WIRING
 - - - - - FIELD WIRING
 ———— FACTORY PIPING

JOB NAME:
SUBMITTED BY:
DATE:

DWG #: ES-A-5263
REV: -
DATE: 6-13-2017