

# ANEMOSTAT<sup>®</sup>

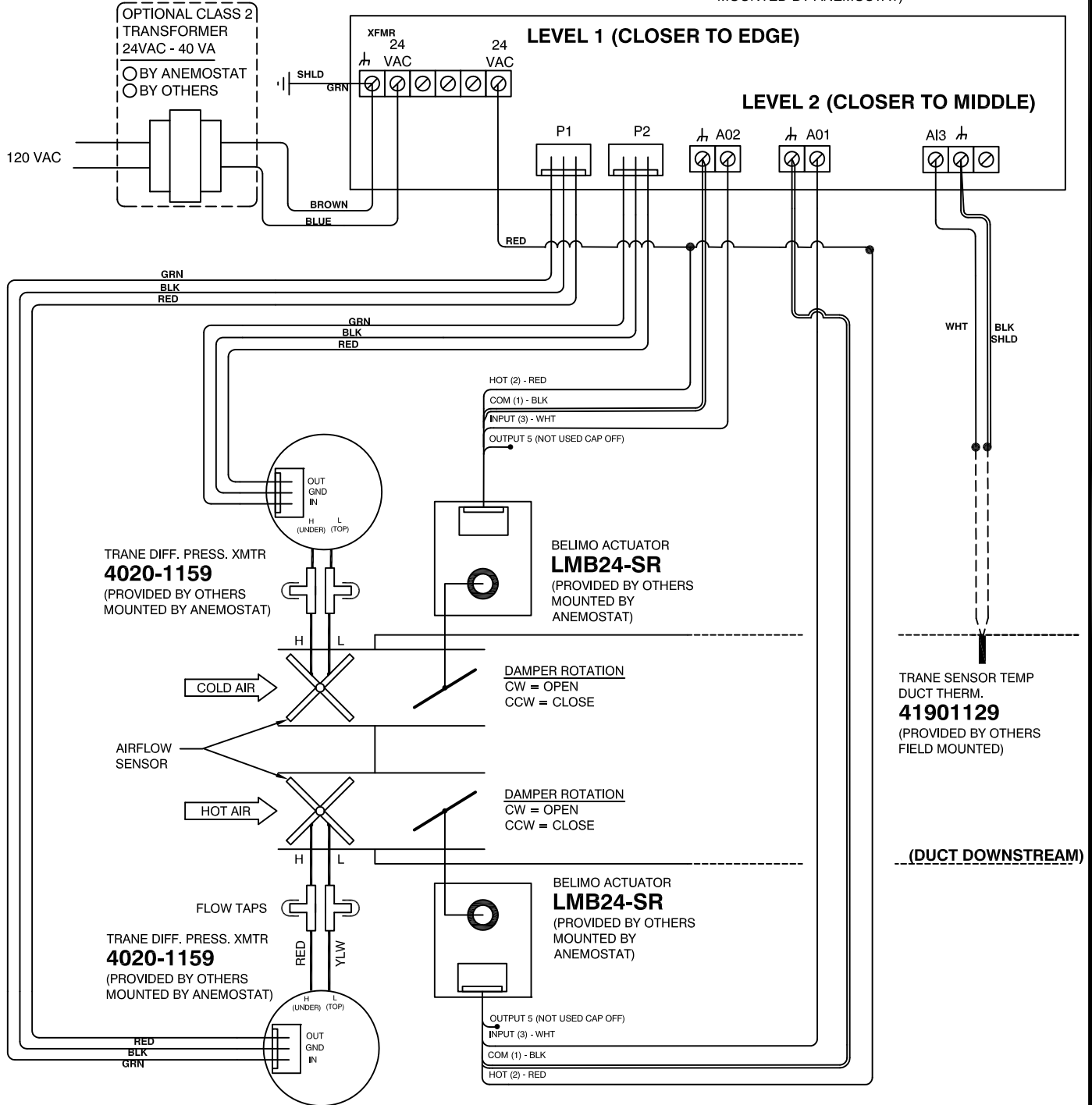
## AIR TERMINAL CONTROLS

# Control Package

## DD-D-TR01

- DUAL DUCT
- DIRECT DIGITAL CONTROLS
- DDC SUPPLIED BY TRANE TO FACTORY FOR INSTALLATION

TRANE  
**UC-400 CONTROLLER**  
(PROVIDED BY OTHERS  
MOUNTED BY ANEMOSTAT)



- FACTORY WIRING
- - - - FIELD WIRING
- FACTORY PIPING
- - - - FIELD PIPING

NOTE:  
BLK WIRES REQUIRE SHLD

JOB NAME:  
SUBMITTED BY:  
DATE:

DWG #: DD-D-TR01  
REV: B  
DATE: 4-4-2017