

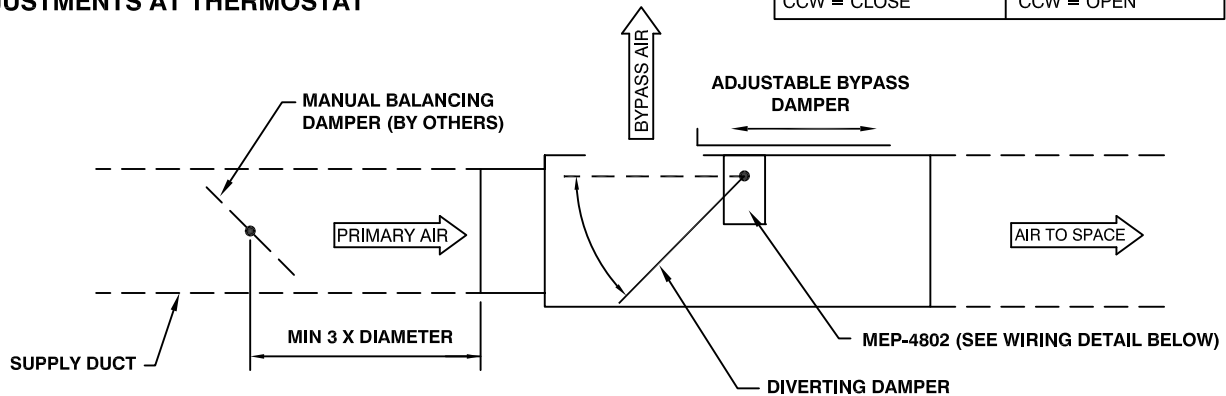
ANEMOSTAT[®]

AIR TERMINAL CONTROLS

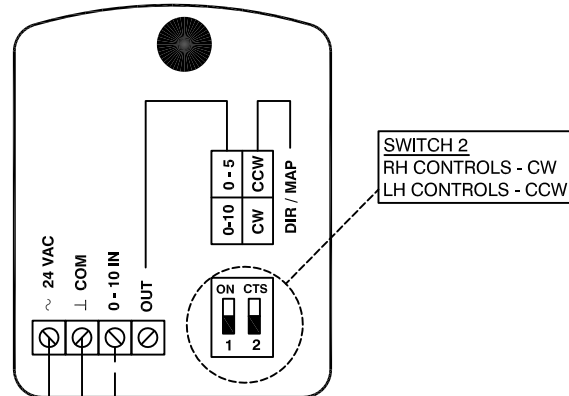
Control Package BR - A - 5201

- BYPASS / RELIEF
- ANALOG ELECTRONIC CONTROLS
- VAV COOLING ONLY
- PRESSURE DEPENDENT
- ADJUSTMENTS AT THERMOSTAT

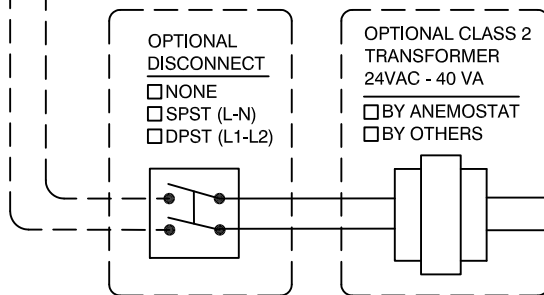
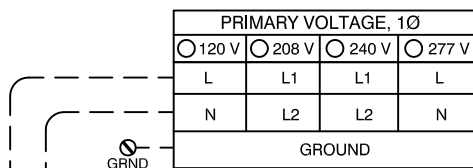
DAMPER ROTATION	
RIGHT HAND CONTROLS	LEFT HAND CONTROLS
CW = OPEN	CW = CLOSE
CCW = CLOSE	CCW = OPEN



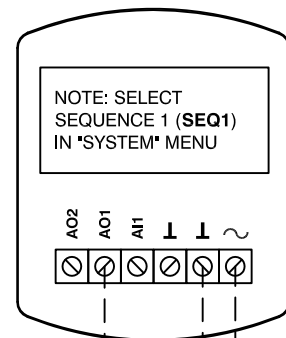
MEP - 4802
CONTROLLER -ACTUATOR



SWITCH 2
RH CONTROLS - CW
LH CONTROLS - CCW



CTE - 5202
THERMOSTAT



————— FACTORY WIRING
- - - - - FIELD WIRING

REFER TO ANEMOSTAT "CONTROLS MANUAL" (CM-1) FOR ADJUSTMENT & TROUBLESHOOTING PROCEDURES.

JOB NAME:
SUBMITTED BY:
DATE:

DWG #: BR-A-5201.1
REV: -
DATE: 1-22-14